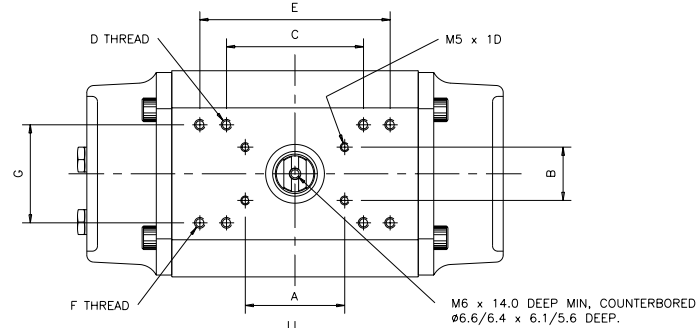
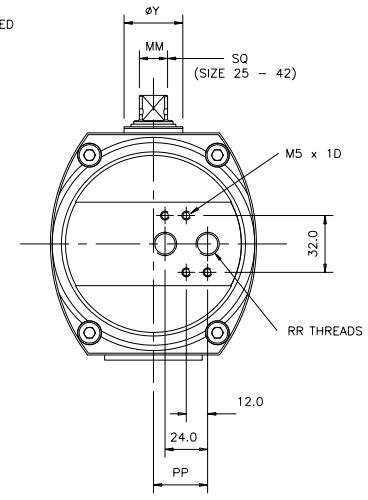
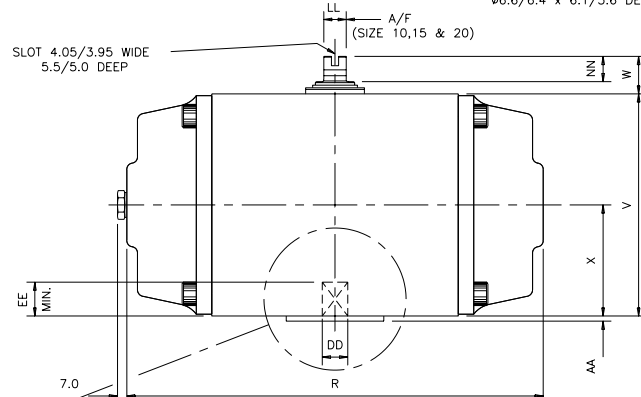
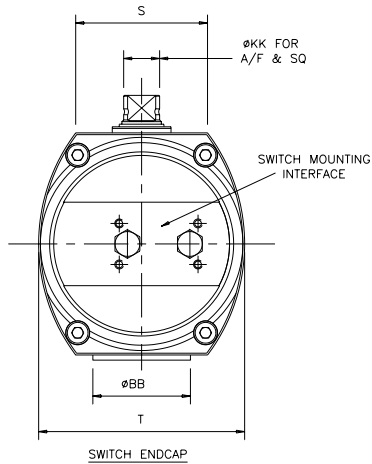


ACTUATOR SIZE	ISO 5211	A	B	C	D	E	F	G	H	J	K	L	M	N	P	R	S	T	V	W	X	Y	ACTUATOR SIZE	ISO 5211	AA	BB	CC	DD	EE	FF	GG	HH	JJ
10-40R	F04	80.0	30.0	—	—	—	—	—	73.0	31.8	M5x1D	29.7	M5x1.5D	42.0	89.7	154.6	48.6	76.8	85.5	20.0	42.8	23.3	10-40R	F04	3.0	30.0	23.0	11.23/11.10	15.0	13.8	11.11/11.00	14.1	12.0
15-40R	F05	80.0	30.0	—	—	—	—	—	73.0	31.8	M5x1D	35.4	M6x1.5D	50.0	113.5	194.4	55.6	94.0	104.0	20.0	52.0	26.0	15-40R	F05	3.0	35.0	26.0	14.40/14.27	19.0	17.8	14.11/14.00	18.1	16.0
20-40R	F07	80.0	30.0	107.2	M6x1D	—	—	49.2	107.2	49.2	M6x1D	49.5	M8x1.5D	70.0	138.8	234.5	74.3	116.0	125.0	20.0	62.5	33.3	20-40R	F07	3.0	55.0	33.0	14.40/14.27	19.0	17.8	17.11/17.00	22.2	19.0
25-40R	F07	80.0	30.0	107.2	M6x1.5D	—	—	49.2	107.2	49.2	M6x1.5D	49.5	M8x1.5D	70.0	156.9	269.9	83.3	135.5	146.6	30.0	73.3	41.4	25-40R	F07	3.0	55.0	42.0	19.18/19.05	27.0	23.8	17.11/17.00	22.2	19.0
30-40R	F10	80.0	30.0	161.1	M6x1.5D	—	—	73.0	161.1	73.0	M6x1.5D	72.1	M10x1.5D	102.0	188.7	324.7	100.3	155.0	167.5	30.0	83.8	48.2	30-40R	F10	3.0	70.0	48.0	19.18/19.05	27.0	23.8	22.13/22.00	28.2	24.0
33-40R	F12	80.0	30.0	161.1	M8x1.5D	—	—	86.0	161.1	86.0	M8x1.5D	88.4	M12x1.5D	125.0	226.6	397.1	127.0	206.0	214.0	30.0	107.0	52.3	33-40R	F12	3.0	85.0	55.0	25.53/25.40	33.0	31.8	27.13/27.00	36.2	29.0
35-40R	F12	80.0	30.0	212.8	M8x1.5D	133.4	M8x1.5D	101.6	212.8	101.6	M8x1.5D	88.4	M12x1.5D	125.0	247.7	422.3	145.0	213.0	217.0	30.0	108.5	58.1	35-40R	F12	3.0	85.0	61.0	25.53/25.40	33.0	31.8	27.13/27.00	36.2	29.0
40-40R	F14	130.0	30.0	—	—	133.4	M8x1.5D	101.6	243.6	117.5	M10x1.5D	99.0	M16x1.5D	140.0	294.4	508.4	137.5	244.9	276.0	50.0	149.0	66.5	40-40R	F14	3.5	100.0	72.0	28.70/28.57	40.0	35.8	36.16/36.00	48.2	38.0
42-40R	F16	130.0	30.0	—	—	133.4	M8x1.5D	101.6	—	—	—	116.7	M20x1.5D	165.0	359.4	615.7	165.0	283.0	316.0	50.0	170.0	88.9	42-40R	F16	4.0	130.0	90.0	46.16/46.00	50.0	57.6	46.16/46.00	60.2	48.0

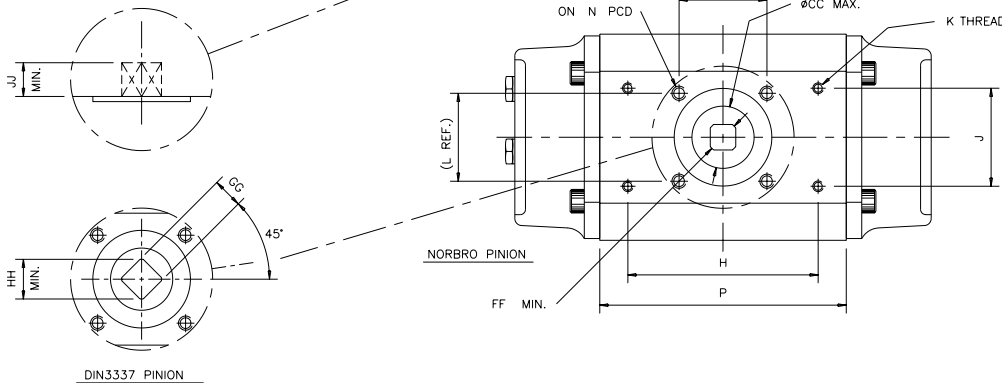
NAMUR TOP ACCESSORY MOUNTING (VDI/VDE 3845)



ACTUATOR SIZE	ISO 5211	KK	LL	MM	NN	PP	RR
10-40R	F04	15.0	9.13/9.00	—	15.2	21.5	G1/8
15-40R	F05	16.0	12.70/12.57	—	13.1	26.0	G1/4
20-40R	F07	20.3	12.70/12.57	—	13.0	30.5	G1/4
25-40R	F07	25.1	—	19.05/18.92	21.2	33.5	G1/4
30-40R	F10	28.6	—	22.23/22.10	20.9	34.5	G1/4
33-40R	F12	36.5	—	28.58/28.45	20.2	45.0	G1/4
35-40R	F12	36.5	—	28.58/28.45	19.9	43.0	G1/4
40-40R	F14	45.7	—	34.93/34.80	37.0	46.6	G1/4
42-40R	F16	66.7	—	50.80/50.67	34.5	58.0	G1/4



NAMUR INLET ENDCAP (VDI/VDE 3845)

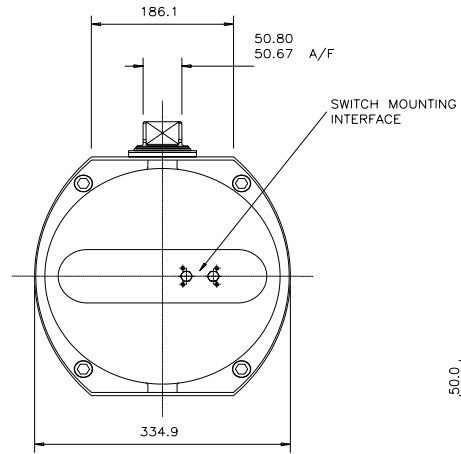
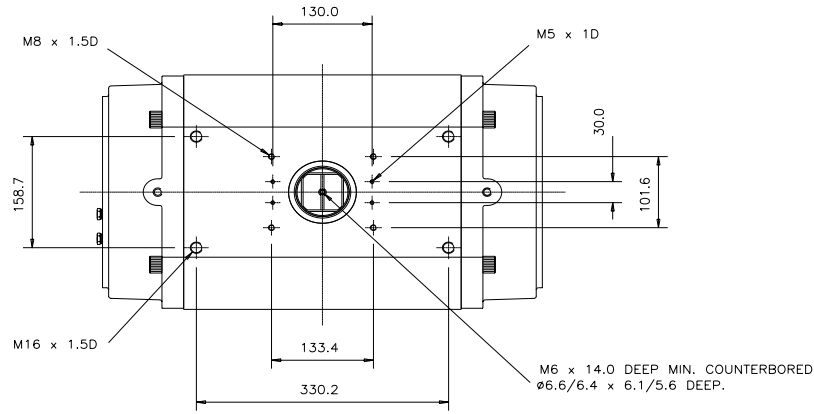


Series 40R Sizes 10-42

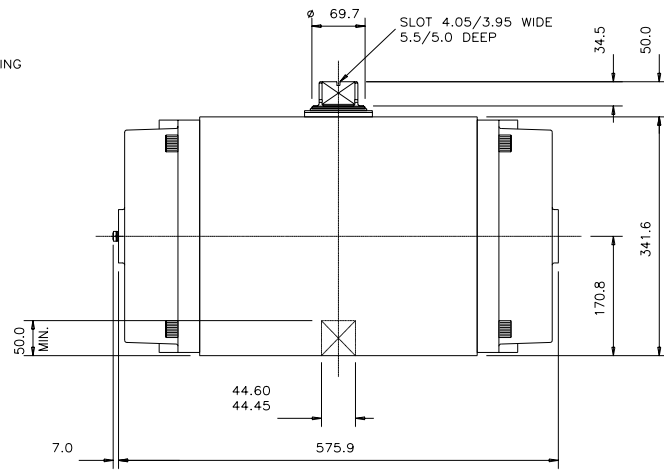
ACTUATOR SHOWN IN CLOSED POSITION WITH PISTONS TOGETHER, OPENING COUNTER-CLOCKWISE. (VIEWED FROM ABOVE)



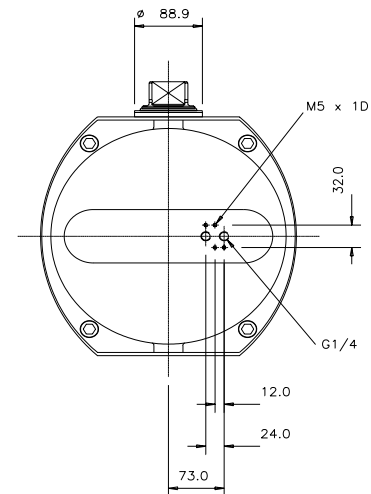
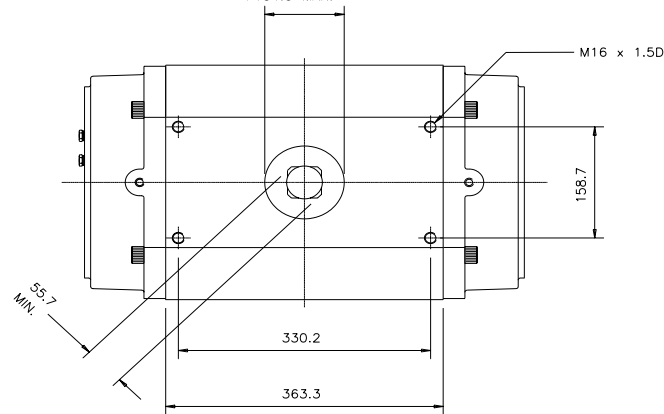
NAMUR TOP ACCESSORY MOUNTING (VDI/VDE 3845)



SWITCH ENDCAP



DRIVE COUPLING
Ø104.0 MAX.



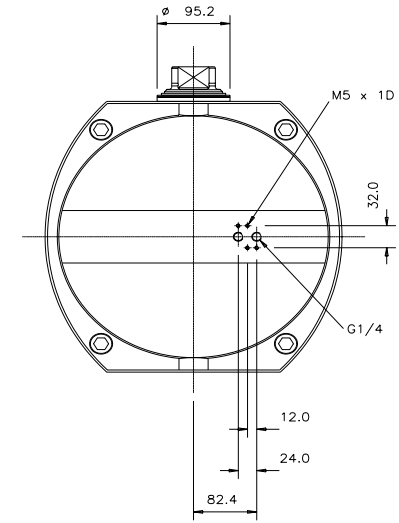
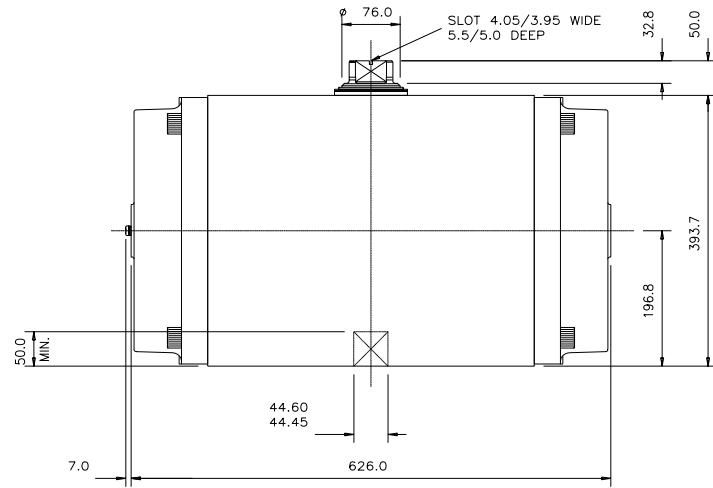
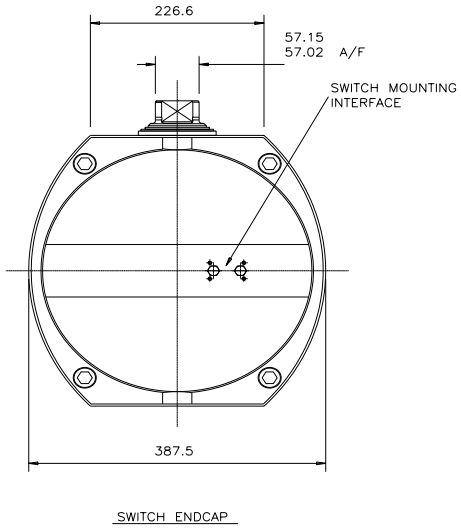
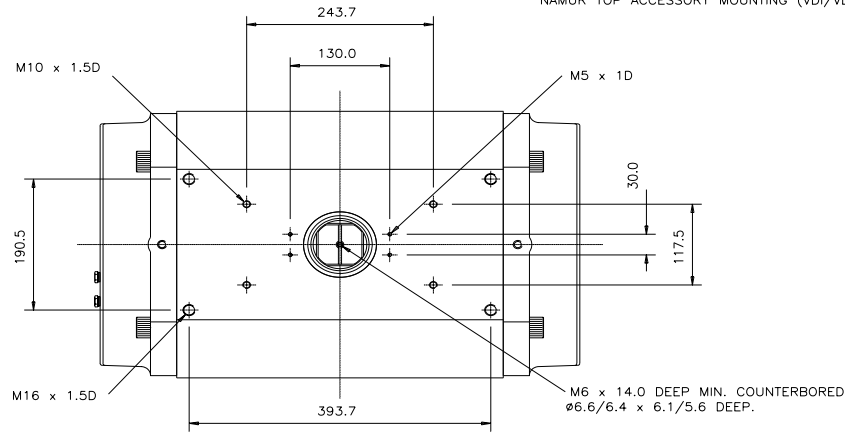
NAMUR INLET ENDCAP (VDI/VDE 3845)



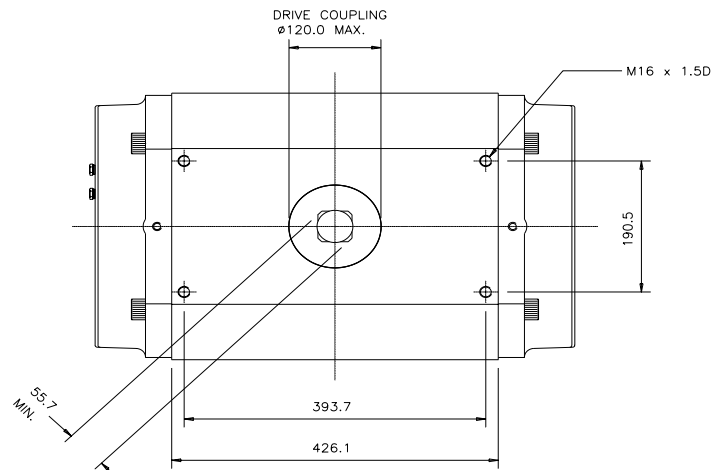
Series 40 Size 45

ACTUATOR SHOWN IN CLOSED POSITION WITH PISTONS TOGETHER, OPENING COUNTER-CLOCKWISE. (VIEWED FROM ABOVE)





NAMUR INLET ENDCAP (VDI/VDE 3845)



norbro

Series 40 Size 50

ACTUATOR SHOWN IN CLOSED POSITION WITH PISTONS TOGETHER, OPENING COUNTER-CLOCKWISE. (VIEWED FROM ABOVE)