



figure **234**

ends form flange straight

## BELLOW SEALED STOP VALVE



body material	nominal pressure	nominal diameter	max temperature
<b>A</b> <i>grey cast iron</i>	<b>C</b> 16 bar	<b>DN</b> 15-250	300°C
<b>C</b> <i>nodular cast iron</i>	<b>C</b> 16 bar <b>D</b> 25 bar	<b>DN</b> 15-200	350°C
<b>F</b> <i>cast steel</i>	<b>E</b> 40 bar	<b>DN</b> 15-150	400°C



correspond to the pressure equipment directive 97/23/EC marking CE for Dn≥32

### FEATURES

- high tightness (leakproofness class - A acc. EN - 12266 - 1)
- compact settlement
- environment-friendly
- tests acc. EN - 12266 - 1
- flanges drilled according to EN 1092-2 for body material A, C, E
- flanges drilled according to EN 1092-1 for body material F
- face-to-face dimension according to EN 558-1 series 1

### APPLICATION\*

- industry
- shipbuilding industry
- heating
- refrigeration and air conditioning
- glycol
- industrial water
- diathermic oil
- steam
- compressed air
- neutral fluids

\* not all of the applications are suitable for all of the executions

Data given can be changed without notice.

Edition 12/2014

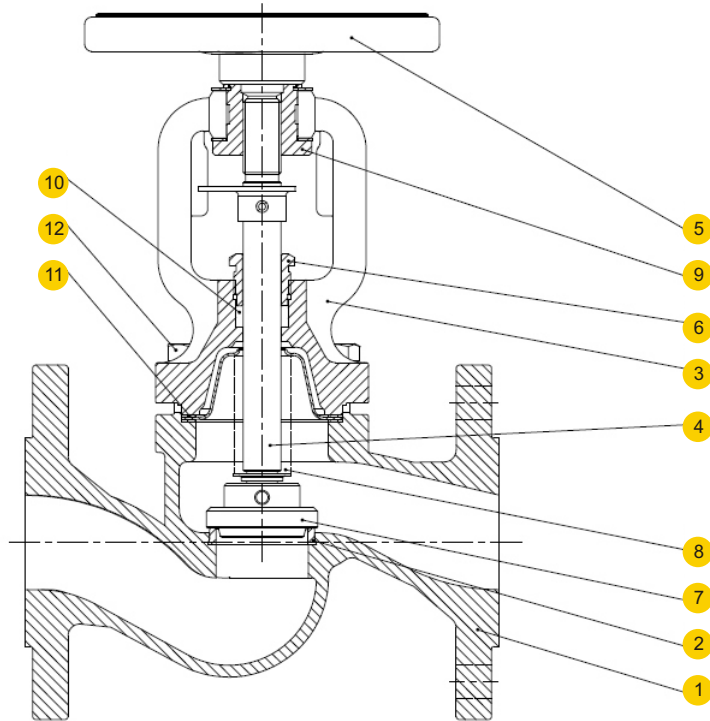


figure	234
ends form	flange straight

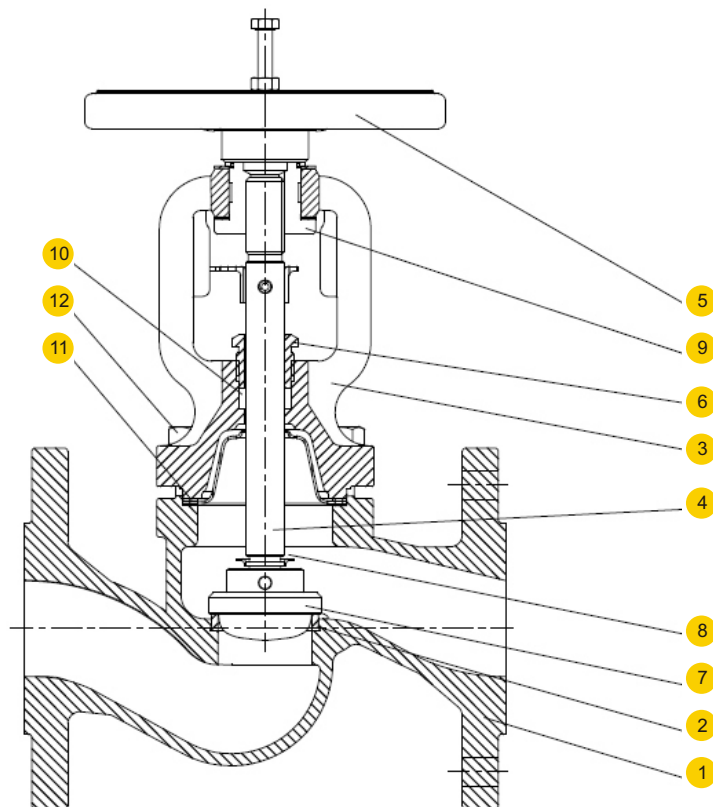


**MATERIALS**

type 01;04



type 71



Data given can be changed without notice.

Edition 12/2014



figure

234

ends  
formflange  
straight

## MATERIALS

	body material	A	C
	type	01; 04; 71	01; 04; 71
1	body	EN – GJL-250 5.1301 (ex. JI1040)	EN – GJS400 - 18-LT 5.3103 (ex.JS1025)
2	seat ring	X12Cr13 1.4006	
3	bonnet	EN – GJS400 - 18-LT 5.3103 (ex.JS1025)	
4	stem	X20Cr13 1.4021	
5	hand-wheel	steel	
6	gland	11SMnPb30	
7	disc	X20Cr13 1.4021	
8	bellow	X6CrNiMoTi-17-12-2	
9	sleeve	11SMnPb30	
10	gland packing	graphite	
11	bonnet gasket	graphite+CrNiSt	
12	hexagon bolt	8.8	A2-70
	max. temperature	300°C	350°C



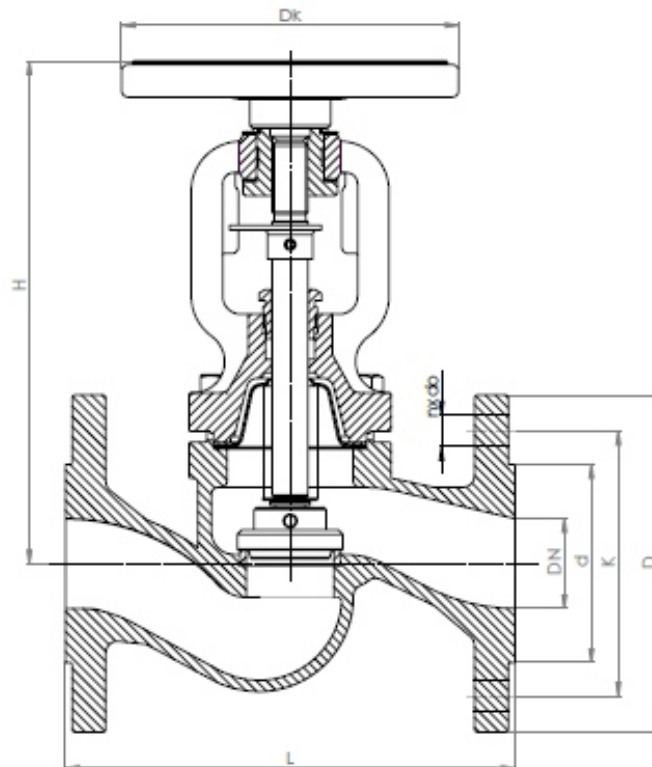
figure

234

ends  
form

flange  
straight

## DIMENSIONS



DN	PN 16				PN 25				PN 16,25				typ 71			
	D	d	K	n x do	D	d	K	n x do	Dk	h	L	H	Kvs		Kvs	
mm													m <sup>3</sup> /h	kg	m <sup>3</sup> /h	kg
15	95	46	65	4x14	95	46	65	4x14	125	5	130	178	5,9	3,2	3,4	3,2
20	105	56	75	4x14	105	56	75	4x14	125	5	150	178	7,4	3,9	6,3	3,9
25	115	65	85	4x14	115	65	85	4x14	125	7	160	193	13,0	4,85	9,4	5,0
32	140	76	100	4x19	140	76	100	4x19	125	8	180	201	18,0	6,5	16,0	6,7
40	150	84	110	4x19	150	84	110	4x19	150	10	200	224	30,0	9,0	26,0	9,3
50	165	99	125	4x19	165	99	125	4x19	150	13	230	228	41,0	11,0	40,0	11,5
65	185	118	145	4x19	185	118	145	8x19	175	17	290	270	79,0	15,8	70,0	16,3
80	200	132	160	8x19	200	132	160	8x19	200	20	310	295	115	24,3	106	21,4
100	220	156	180	8x19	235	156	190	8x23	250	25	350	325	181	35,0	170	36,0
125	250	184	210	8x19	270	184	220	8x28	300	32	400	380	225	49,0	245	51,5
150	285	211	240	8x23	300	211	250	8x28	400	38	480	427	364	76,0	360	78,0
200	340	266	295	12x23	360	274	310	12x28	500*	50	600	569	725	130,5	-	130,5
250	405	319	355	12x28	-	-	-	-	500	63	730	645	-	210	-	-

\*- dla DN200 wykonanie 71 Dk wynosi 400

Data given can be changed without notice.

Edition 12/2014



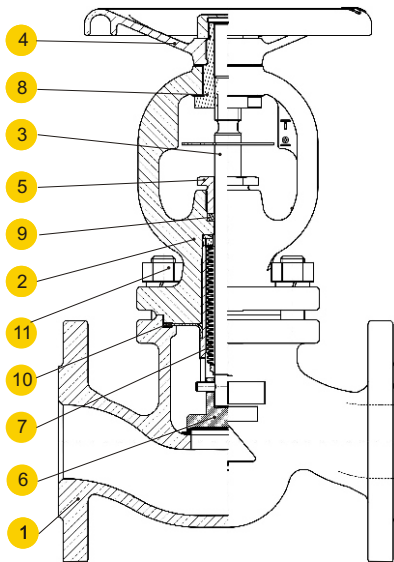
figure

234

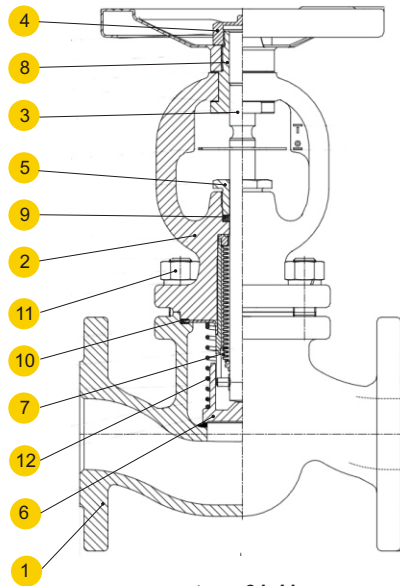
ends  
form

flange  
straight

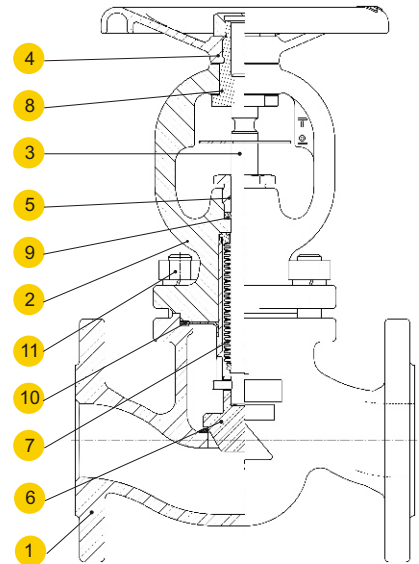
**MATERIALS**



Type 01,04,11,14



type 31,41



type 71

body material		F			
type		01	11,14	31,41	71
1	body	GP240GH			
2	bonnet	GP240GH			
3	stem	X8CrNiS18-9 1.4305			
4	hand-wheel	Steel			
5	gland	11SMnPb30			
6	disc	Stop disc X20Cr13 1.4021	Stop disc and seat with Stellite6 surfacel	SDNR valve	Throttling disc X20Cr13 1.4021
7	bellow	X6CrNiTi-18-10			
8	sleeve	11SMnPb30			
9	gland packing	Graphite			
10	bonnet gasket	Graphite+CrNiSt			
11	bolt and nut	A2-70			
12	Spring	1.4310			
max. temperature		400°C			

Data given can be changed without notice.

Edition 12/2014



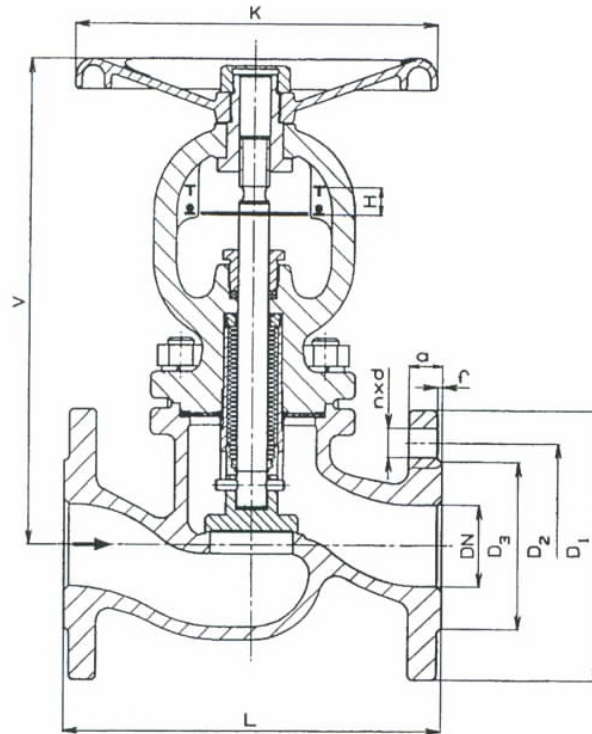
figure

234

ends  
form

flange  
straight

**DIMENSIONS**



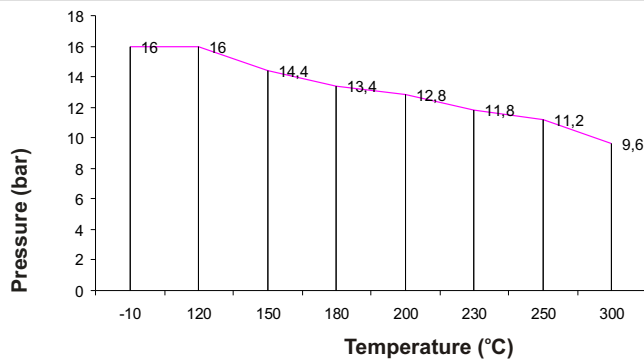
DN	PN 40										Kvs m <sup>3</sup> /h	
	D1	D3	D2	n x d	K	H	L	V	a			
15	95	45	65	4x14	125	6	130	189	16	4,3	4,3	
20	105	58	75	4x14	125	6	150	189	18	7,0	5,1	
25	115	68	85	4x14	125	6	160	189	18	11,0	5,8	
32	140	78	100	4x18	150	10	180	220	18	17,5	9,5	
40	150	88	110	4x18	150	10	200	220	18	27,0	9,8	
50	165	102	125	4x18	200	16,5	230	295	20	47,0	17,5	
65	185	122	145	8x18	200	16,5	290	295	22	68,0	20,5	
80	200	138	160	8x18	300	25	310	368	24	116	34,0	
100	235	162	190	8x22	300	25	350	368	24	162	44,0	
125	270	188	220	8x26	400	40	400	523	26	250	77,0	
150	300	218	250	8x26	400	40	480	523	28	364	110	

Data given can be changed without notice.

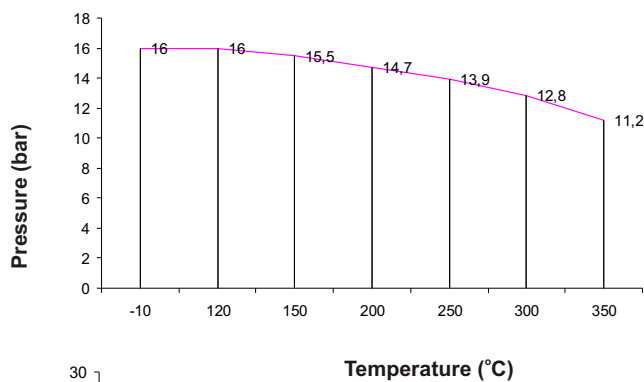
Edition 12/2014



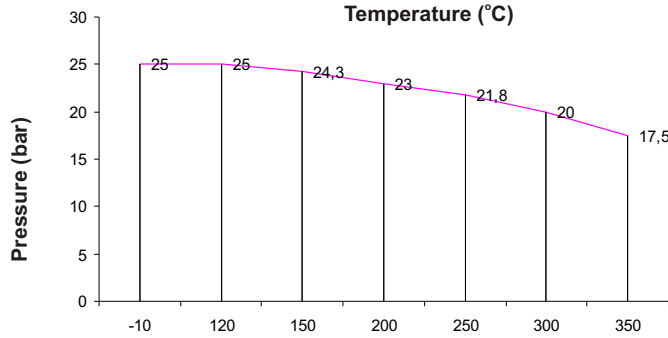
## PRESSURE-TEMPERATURE RATINGS



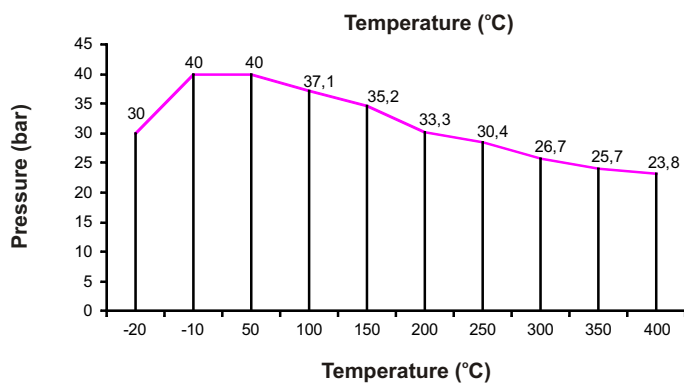
Allowed working conditions range  
PN 16 EN-GJL-250



Allowed working conditions range  
PN 16 EN-GJS-400-18-LT



Allowed working conditions range  
PN 25 EN-GJS-400-18-LT



Allowed working conditions range  
PN 40 GP24GH 1.0619

Allowable pressure difference which can be observed on both sides of the closing element  
Refers for valves in F execution

PN	Allowable pressure difference [bar]		
	DN10 - 100	DN125	DN150
PN40	40	33	21

Data given can be changed without notice.

Edition 12/2014



**figure 234**  
ends form flange straight

**TYPES**

figure	body material	nominal diameter DN	nominal pressure PN	type
234	A grey cast iron EN-GJL-250	15-150 mm	C 16bar	01 Tmax 300 °C • stem connected with bellow • stem, disc, bellow and seat ring - stainless steel
		200-250 mm	C 16bar	04 Tmax 300 °C • stem connected with bellow • stem, balancing disc, bellow and seat ring - stainless steel
		15-200 mm	C 16bar	71 Tmax 300 °C • stem connected with bellow • stem, throttling disc, bellow and seat ring - stainless steel
	C nodular cast iron EN-GJS-400-18-LT	15-150 mm	C 16bar	01 Tmax 350 °C • stem connected with bellow • stem, disc, bellow and seat ring - stainless steel
		200 mm	C 16bar	04 Tmax 350 °C • stem connected with bellow • stem, balancing disc, bellow and seat ring - stainless steel
		15-200 mm	C 16bar	71 Tmax 350 °C • stem connected with bellow • stem, throttling disc, bellow and seat ring - stainless steel
		15-150 mm	D 25bar	01 Tmax 350 °C • stem connected with bellow • stem, disc, bellow and seat ring - stainless steel
		200 mm	D 25bar	04 Tmax 350 °C • stem connected with bellow • stem, balancing disc, bellow and seat ring - stainless steel
		15-200 mm	D 25bar	71 Tmax 350 °C • stem connected with bellow • stem, throttling disc, bellow and seat ring - stainless steel
	F cast steel GP240GH 1.0619	15-150 mm	E 40bar	01 Tmax 400 °C • stem connected with bellow • stem, disc, bellow and seat ring - stainless steel
		15-150 mm	E 40bar	71 Tmax 400 °C • stem connected with bellow • stem, throttling disc, bellow and seat ring - stainless steel
		15-150 mm	E 40bar	11 Tmax 400 °C • stem connected with bellow • stem, disc, bellow and seat ring - stainless steel disc and seat ring stellited - Stellite6
		15-150 mm	E 40bar	31 Tmax 400 °C • stem connected with bellow • lose disc with spring • stem, disc, spring, bellow and seat ring - stainless steel
		15-150 mm	E 40bar	41 Tmax 400 °C • stem connected with bellow • lose disc without spring • stem, disc, spring, bellow and seat ring - stainless steel

Data given can be changed without notice.

Edition 12/2014





figure	<b>234</b>
ends form	flange straight

## ORDERING

To place an order please use our product number (index)



### ORDER EXAMPLE

