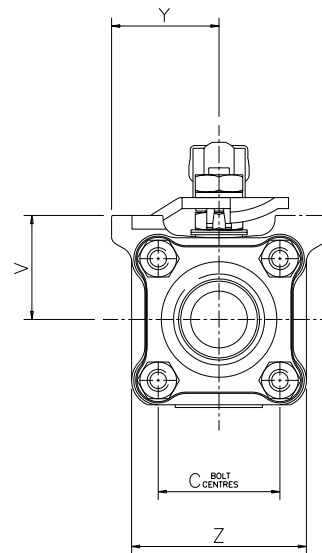
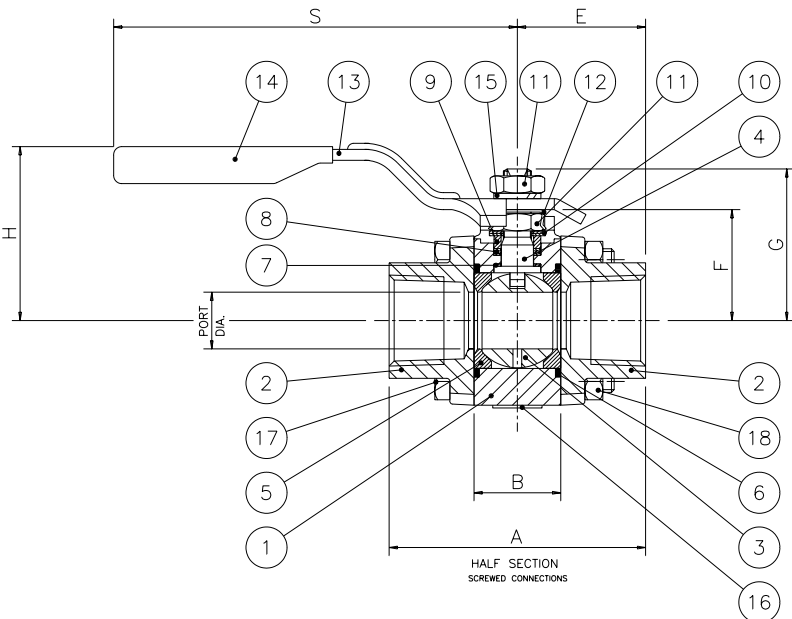
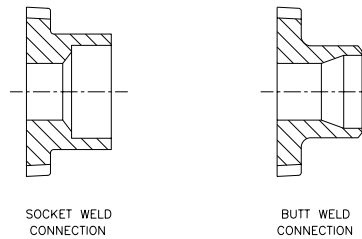
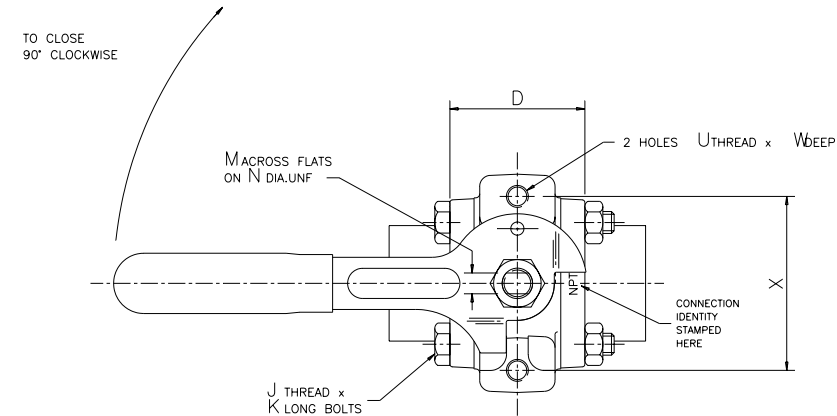


VALVE SIZE		VALVE DIMENSIONS (mm)																				
MM	INS	PORT DIA	A ±0.8	B ±0.07	C ±0.8	D ±0.4	E ±0.25	F ±0.25	G ±0.8	H	J	K	M ±0.04	N	S	U	V	W	X	Y ±0.8	Z	APPROX Kg
8-10-15	1/4-3/8-1/2	11.1	65.4	20.58	31.8	31.8	32.7	27.54	37.99	58.0	M6	40.0	5.50	3/8 UNF	136.0	M6	26.6	9.5	48.0	30.4	47.6	0.7
20	3/4	14.3	71.0	24.55	38.1	37.4	35.5	29.93	40.38	60.3	M6	45.0	5.50	3/8 UNF	136.0	M6	29.0	9.5	54.0	33.4	54.4	0.9
25	1	20.6	93.7	31.69	44.5	49.3	46.9	40.63	55.58	64.8	M8	60.0	7.50	7/16UNF	149.0	M8	38.0	9.7	63.5	40.5	65.4	1.6



ITEM No	DESCRIPTION	MATERIAL	QTY
1	BODY	STAINLESS STEEL ASTM A182 F316	1
2	BODY CONNECTOR	STAINLESS STEEL ASTM A182 F316L	2
3	BALL	STAINLESS STEEL 316	1
4	STEM	STAINLESS STEEL 316 STAINLESS STEEL 431 (WITH Y SEAT RING ONLY)	1
5	SEAT RING	* T PTFE VIRGIN R PTFE 15% GLASS FILLED H VX1 PTFE REINFORCED Y ACETAL RESIN - DELRIN	2
6	CONNECTOR SEAL	* T VIRGIN PTFE B BUNA 'O'RING V VITON 'O'RING	2
7	THRUST SEAL	* PTFE 35% CARBON FILLED	1
8	GLAND PACKING	* PTFE 35% CARBON FILLED	3
9	GLAND	STAINLESS STEEL 316	1
10	DISC SPRING	* STAINLESS STEEL 302	2
11	GLAND/WRENCH NUT	* STAINLESS STEEL 316	2
12	LOCKING CLIP	* CARBON STEEL PLATED	1
13	WRENCH	STAINLESS STEEL 17% CHROMIUM	1
14	WRENCH SLEEVE	VINYL PLASTISOL	1
15	SPRING WASHER	* STAINLESS STEEL 316	1
16	IDENTIFICATION PLATE	STAINLESS STEEL 304	1
17	BODY CONNECTOR BOLT	STAINLESS STEEL BS 6105 A4/80	4
18	BODY CONNECTOR NUT	STAINLESS STEEL BS 6105 A4/80	4

END CONNECTOR VARIANTS.

THREADED CONNECTIONS.
 BODY CONNECTORS SCREWED FEMALE TO THE FOLLOWING THREAD SPECIFICATIONS:-
 NPT ANSI B1.20.1 (NPT)
 BSPT ISO R/7.BS 21 (Rc)
 BSPP ISO R/7.BS 21 (Rp)

SOCKET WELD CONNECTIONS.
 BODY CONNECTORS BORED SUITABLE FOR ACCEPTING PLAIN END PIPE TO THE FOLLOWING SPECIFICATIONS:-
 BS 1600 API 5L BS 3600

BUTT WELD CONNECTIONS.
 BODY CONNECTORS PREPARED IN ACCORDANCE WITH RELEVANT MATL.SPEC & ASME CODE SECTION IX. FOR BUTT WELDING PIPE TO THE FOLLOWING SPECIFICATIONS:-
 API 5L BS 1600 SCHEDULES 80/40/10/5

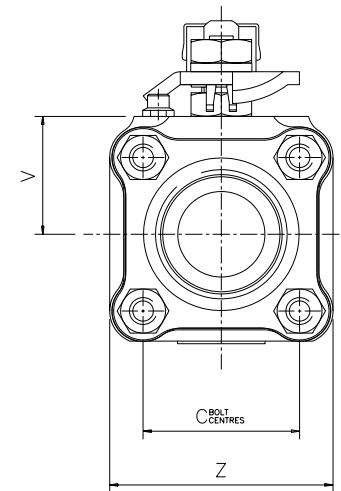
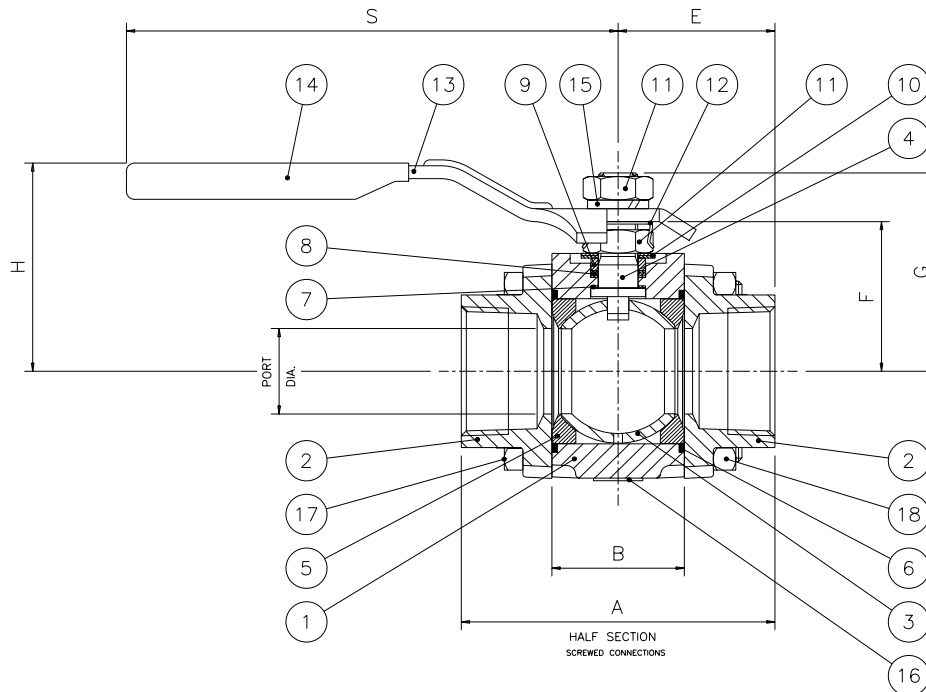
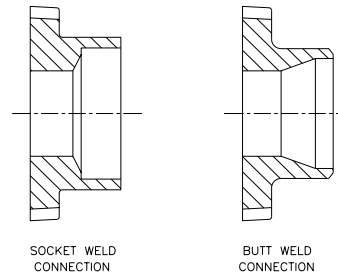
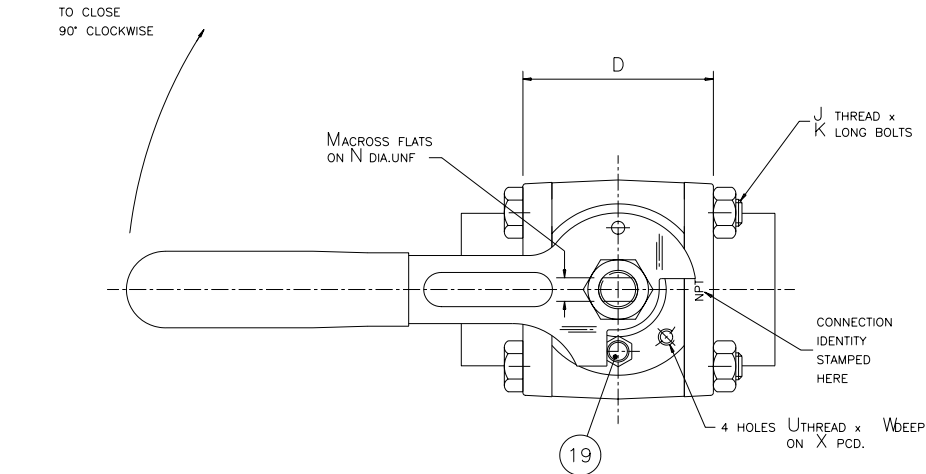
NOTES:-

- DRAWING SHOWS 25mm VALVE WITH SCREWED NPT BODY CONNECTORS.
- FOR ACTUATED VALVES ITEMS 13,14,15 & 1 OFF ITEM 11 ARE OMITTED.
- ITEMS MARKED THUS * DENOTE COMPONENTS SUPPLIED IN REPAIR KIT.
- END TO END DIMENSION 'A' AND CENTRE TO END DIMENSION 'E' IS THE SAME FOR ALL TYPES OF END CONNECTION.

A44 8-25mm

VALVE SIZE		VALVE DIMENSIONS (mm)																			
MM	INS	PORT DIA	A ±0.8	B ±0.07	C ±0.8	D ±0.4	E ±0.25	F ±0.25	G ±0.8	H ±0.04	J	K	M ±0.04	N	S	U	V	W	X	Z ±0.8	APPROX Kg
32	1 1/4	25.4	106.0	41.24	50.8	60.4	53.0	45.38	60.33	69.6	M8	70.0	7.50	7/16UNF	149.0	M5	37.1	7.5	42.0	72.5	2.1
40	1 1/2	31.8	114.6	48.35	57.2	69.6	57.3	54.89	73.04	77.9	M10	80.0	8.67	9/16UNF	181.0	M6	44.0	8.7	50.0	84.5	3.1
50	2	38.1	127.1	56.28	66.7	79.1	63.6	59.64	77.79	82.6	M10	90.0	8.67	9/16UNF	181.0	M6	48.7	8.7	50.0	94.8	4.0

ITEM No	DESCRIPTION	MATERIAL	QTY
1	BODY	STAINLESS STEEL ASTM A182 F316	1
2	BODY CONNECTOR	STAINLESS STEEL ASTM A182 F316L	2
3	BALL	STAINLESS STEEL 316	1
4	STEM	STAINLESS STEEL 316	1
		STAINLESS STEEL 431 (WITH Y SEAT RING ONLY)	
5	SEAT RING	* T PTFE VIRGIN R PTFE 15% GLASS FILLED H VX1 PTFE REINFORCED Y ACETAL RESIN - DELRIN	2
6	CONNECTOR SEAL	* T VIRGIN PTFE B BUNA 'O'RING V VITON 'O'RING	2
7	THRUST SEAL	* PTFE 35% CARBON FILLED	1
8	GLAND PACKING	* PTFE 35% CARBON FILLED	3
9	GLAND	STAINLESS STEEL 316	1
10	DISC SPRING	* STAINLESS STEEL 302	2
11	GLAND/WRENCH NUT	* STAINLESS STEEL 316	2
12	LOCKING CLIP	* CARBON STEEL PLATED	1
13	WRENCH	STAINLESS STEEL 17% CHROMIUM	1
14	WRENCH SLEEVE	VINYL PLASTISOL	1
15	SPRING WASHER	* STAINLESS STEEL 316	1
16	IDENTIFICATION PLATE	STAINLESS STEEL 304	1
17	BODY CONNECTOR BOLT	STAINLESS STEEL BS 6105 A4/80	4
18	BODY CONNECTOR NUT	STAINLESS STEEL BS 6105 A4/80	4
19	STOP SCREW	STAINLESS STEEL 316	1



END CONNECTOR VARIANTS.

THREADED CONNECTIONS.
 BODY CONNECTORS SCREWED FEMALE TO THE FOLLOWING THREAD SPECIFICATIONS:-
 NPT ANSI B1.20.1 (NPT)
 BSPT ISO R/7.BS 21 (Rc)
 BSPP ISO R/7.BS 21 (Rp)

SOCKET WELD CONNECTIONS.
 BODY CONNECTORS BORED SUITABLE FOR ACCEPTING PLAIN END PIPE TO THE FOLLOWING SPECIFICATIONS:-
 BS 1600 API 5L BS 3600

BUTT WELD CONNECTIONS.
 BODY CONNECTORS PREPARED IN ACCORDANCE WITH RELEVANT MATL.SPEC & ASME CODE SECTION IX. FOR BUTT WELDING PIPE TO THE FOLLOWING SPECIFICATIONS:-
 API 5L BS 1600 SCHEDULES 80/40/10/5

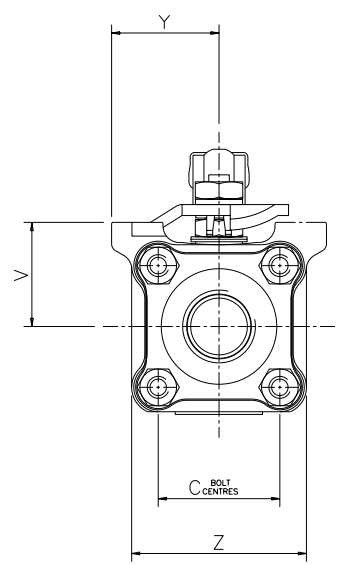
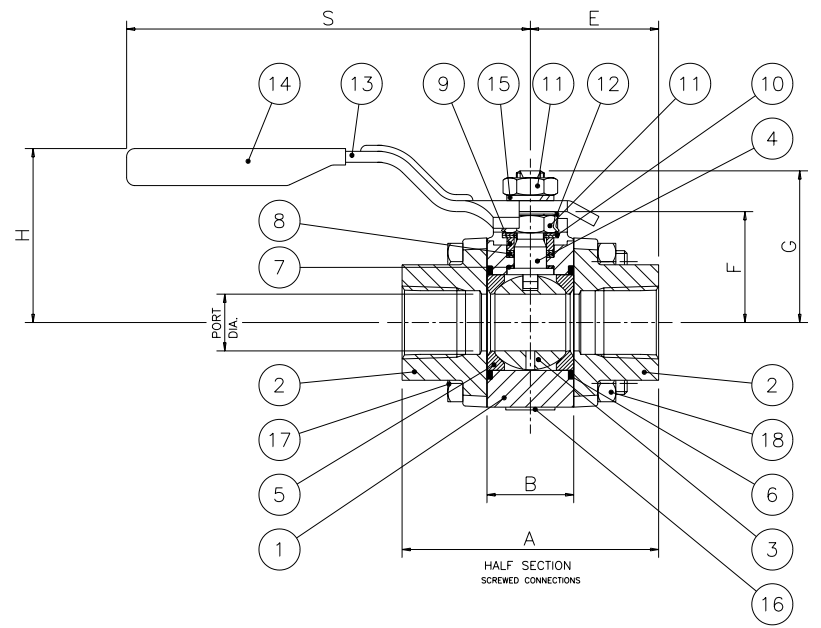
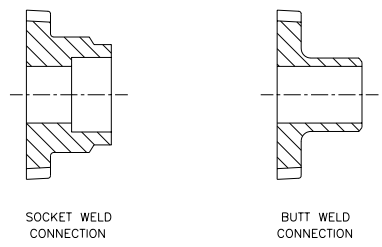
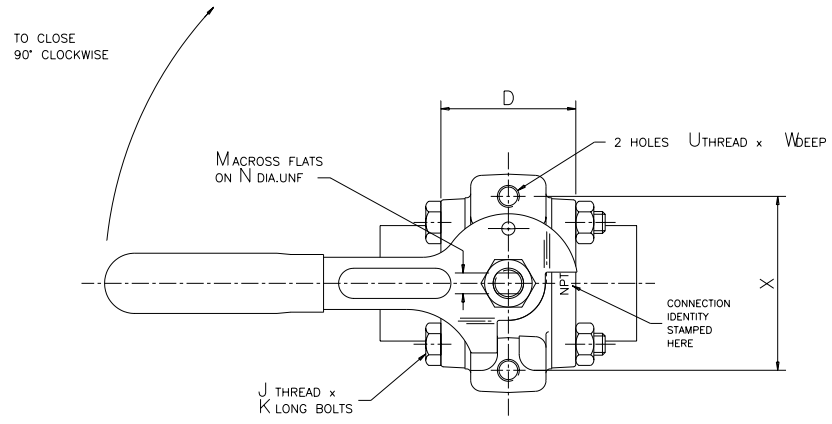
NOTES:-

- DRAWING SHOWS 40mm VALVE WITH SCREWED NPT BODY CONNECTORS.
- FOR ACTUATED VALVES ITEMS 13,14,15,19 & 1 OFF ITEM 11 ARE OMITTED.
- ITEMS MARKED THUS * DENOTE COMPONENTS SUPPLIED IN REPAIR KIT.
- END TO END DIMENSION 'A' AND CENTRE TO END DIMENSION 'E' IS THE SAME FOR ALL TYPES OF END CONNECTION.

A44 32-50mm

VALVE SIZE		VALVE DIMENSIONS (mm)																			APPROX Kg	
		PORT DIA	A ±0.8	B ±0.07	C ±0.8	D ±0.4	E ±0.25	F ±0.25	G ±0.8	H	J	K	M ±0.04	N	S	U	V	W	X	Y		Z ±0.8
MM	INS	14.3	71.0	24.55	38.1	37.4	35.5	29.93	40.38	60.3	M6	45.0	5.50	3/8 UNF	136.0	M6	29.0	9.5	54.0	33.4	54.4	0.9
15	1/2	20.6	93.7	31.69	44.5	49.3	46.9	40.63	55.58	64.8	M8	60.0	7.50	7/16UNF	149.0	M8	38.0	9.7	63.5	40.5	65.4	1.6

ITEM No	DESCRIPTION	MATERIAL	QTY
1	BODY	STAINLESS STEEL ASTM A182 F316	1
2	BODY CONNECTOR	STAINLESS STEEL ASTM A182 F316L	2
3	BALL	STAINLESS STEEL 316	1
4	STEM	STAINLESS STEEL 316 STAINLESS STEEL 431 (WITH Y SEAT RING ONLY)	1
5	SEAT RING	* T PTFE VIRGIN R PTFE 15% GLASS FILLED H VX1 PTFE REINFORCED Y ACETAL RESIN - DELRIN	2
6	CONNECTOR SEAL	* T VIRGIN PTFE B BUNA 'O'RING V VITON 'O'RING	2
7	THRUST SEAL	* PTFE 35% CARBON FILLED	1
8	GLAND PACKING	* PTFE 35% CARBON FILLED	3
9	GLAND	STAINLESS STEEL 316	1
10	DISC SPRING	* STAINLESS STEEL 302	2
11	GLAND/WRENCH NUT	* STAINLESS STEEL 316	2
12	LOCKING CLIP	* CARBON STEEL PLATED	1
13	WRENCH	STAINLESS STEEL 17% CHROMIUM	1
14	WRENCH SLEEVE	VINYL PLASTISOL	1
15	SPRING WASHER	* STAINLESS STEEL 316	1
16	IDENTIFICATION PLATE	STAINLESS STEEL 304	1
17	BODY CONNECTOR BOLT	STAINLESS STEEL BS 6105 A4/80	4
18	BODY CONNECTOR NUT	STAINLESS STEEL BS 6105 A4/80	4



END CONNECTOR VARIANTS.

THREADED CONNECTIONS.
 BODY CONNECTORS SCREWED FEMALE TO THE FOLLOWING THREAD SPECIFICATIONS:-
 NPT ANSI B1.20.1 (NPT)
 BSPP ISO R/7.BS 21 (Rc)
 BSPP ISO R/7.BS 21 (Rp)

SOCKET WELD CONNECTIONS.
 BODY CONNECTORS BORED SUITABLE FOR ACCEPTING PLAIN END PIPE TO THE FOLLOWING SPECIFICATIONS:-
 BS 1600 API 5L BS 3600

BUTT WELD CONNECTIONS.
 BODY CONNECTORS PREPARED IN ACCORDANCE WITH RELEVANT MATL.SPEC & ASME CODE SECTION IX. FOR BUTT WELDING PIPE TO THE FOLLOWING SPECIFICATIONS:-
 API 5L BS 1600 SCHEDULES 80/40/10/5

NOTES:-

- DRAWING SHOWS 20mm VALVE WITH SCREWED NPT BODY CONNECTORS.
- FOR ACTUATED VALVES ITEMS 13,14,15 & 1 OFF ITEM 11 ARE OMITTED.
- ITEMS MARKED THUS * DENOTE COMPONENTS SUPPLIED IN REPAIR KIT.
- END TO END DIMENSION 'A' AND CENTRE TO END DIMENSION 'E' IS THE SAME FOR ALL TYPES OF END CONNECTION.

A59 15-20mm