

# Limit switch box **FA9360**

## PRODUCT NAME

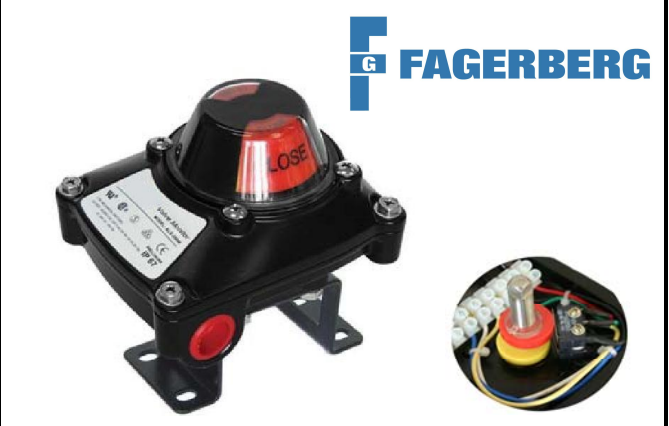
**Valve Monitor**

## MODEL NO.

**FA9360**

## DESCRIPTION OF THE PRODUCT

The FA9360 series valve monitor is a rotary position indication device. Armed with mechanical switch this device can sense mechanical position (on/off) of valve for remote PLC or PC indication. The visual indicator on the top of the device can also clearly display the valve position for local detection.



## SPECIFICATIONS AND TECHNICAL DATA

Enclosure	Die-casting aluminum dichromate conversion with polyester powder coating and O-ring sealed
O-rings	Buna N
Environment	Type 4, 4X, IP67
Area Classification	Standard
Fasteners	Stainless steel
Shaft	Stainless steel Namur
Conduit Entries	Two 1/2" BSPP
	Also available with two 1/2" NPT, M20-1.5
Terminal Strip Contacts	8
Mounting Bracket	MB - 1.0: 30 x 80 H:20, 30 (Carbon steel)
Temperature Rating	-20°C-85°C

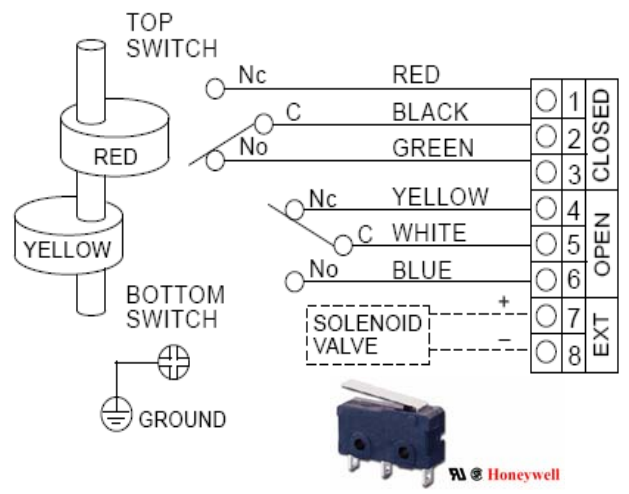
## APPROVED BY



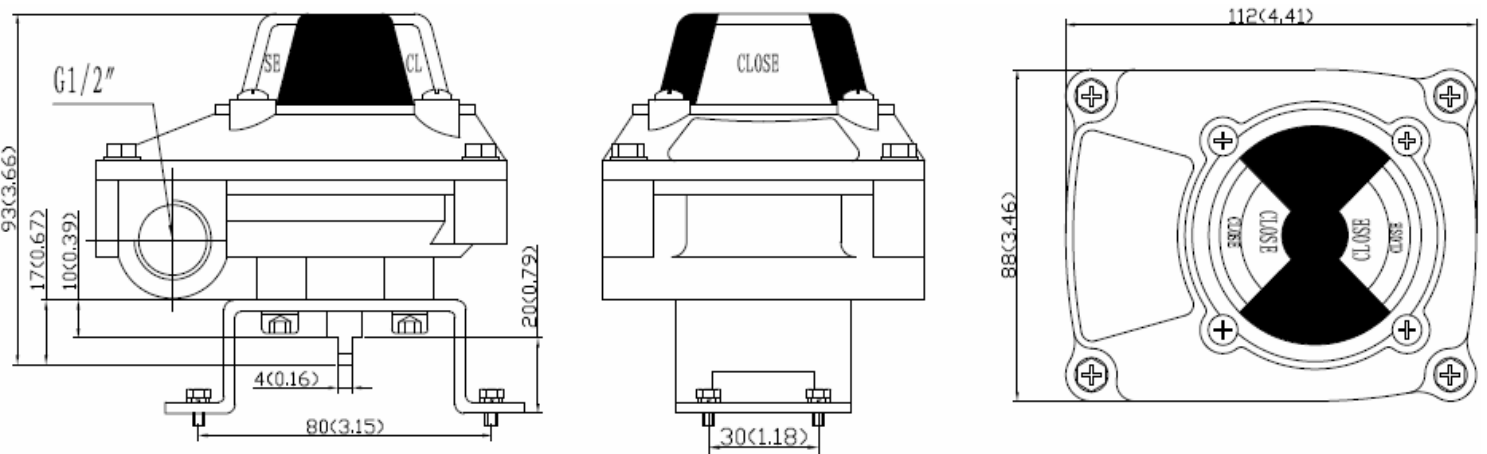
## Sensor: Honeywell Mechanical Switches

Model No.	M2(2SPDT)
Operating Voltage	Max: 5A125-250 VAC
Operating Temp.	-25°C-85°C

## WIRING DIAGRAM(M2)



## DRAWING AND DIMENSION



Adresse/Address  
**Fagerberg Norge AS**  
 Årvollskogen 33  
 1529 Moss

Telefon/Telephone  
 + 47 69 35 55 30  
 Telefax/Teletype  
 + 47 69 35 55 31

E-post/E-mail  
[post@fagerberg.no](mailto:post@fagerberg.no)  
 Hjemmeside/Web-site  
[www.fagerberg.no](http://www.fagerberg.no)

Bankkonto/Bank account  
 5183.05.40869  
 Foretaksnr./Reg. No.

