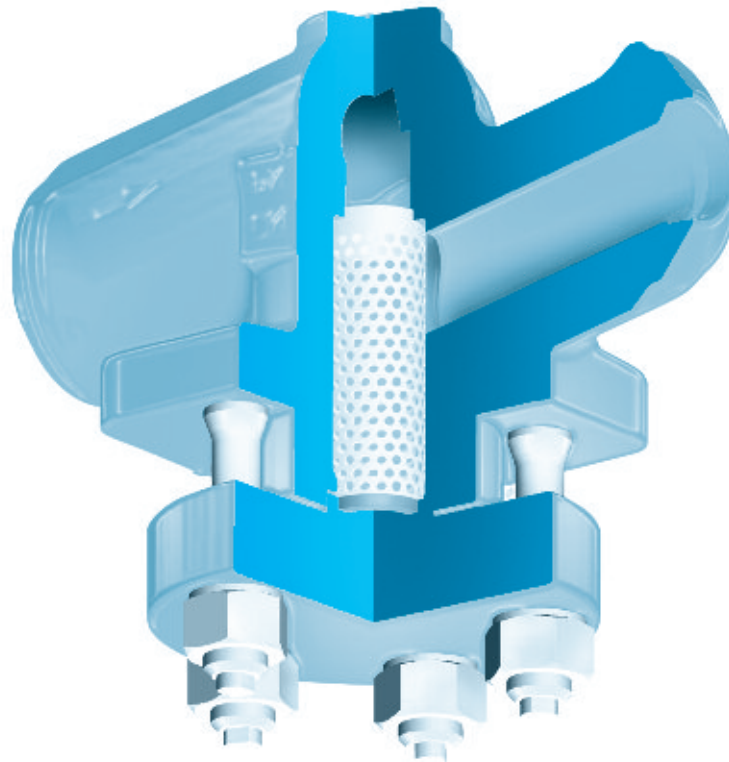


▪ **Strainer** ▪ 990 ST ▪ PN 500 ▪ DN 10-65/50



**Range of application**

Admissible operating pressure [bar] at design temperature [°C] <sup>1)</sup>

Material	PN	-10	50	100	120	150	200	250	300	350	400	410	420	430	440	450	460	470	480	490	500	510	520	530	540	550	560	570	580	590	600	610	620	630	640	650			
<b>1.5415</b>	<b>500</b>	550,0	550,0	550,0	550,0	550,0	550,0	550,0	550,0	537,4	518,8	514,7	510,9	507,3	503,8	500,3	496,7	493,1	489,3	426,9	333,5	253,5	200,1	160,1															
<b>1.7335</b>	<b>500</b>	550,0	550,0	550,0	550,0	550,0	550,0	550,0	550,0	550,0	550,0	550,0	550,0	550,0	550,0	550,0	550,0	550,0	550,0	500,0	426,9	338,0	275,7	222,4	173,4	142,0	116,0												
<b>1.7383</b>	<b>500</b>	550,0	550,0	550,0	550,0	550,0	550,0	550,0	550,0	550,0	550,0	550,0	550,0	550,0	550,0	550,0	550,0	550,0	550,0	500,3	437,3	381,7	333,5	289,1	252,0	214,9	189,0	163,1	140,8	124,5									
<b>1.4903</b>	<b>500</b>	550,0	550,0	550,0	550,0	550,0	550,0	550,0	550,0	550,0	550,0	550,0	550,0	550,0	550,0	550,0	550,0	550,0	550,0	550,0	550,0	550,0	550,0	550,0	550,0	550,0	500,0	465,0	430,0	380,0	338,0	298,0	261,0	231,0	198,0	172,0			
<b>1.4901</b>	<b>500</b>	550,0	550,0	550,0	550,0	550,0	550,0	550,0	550,0	550,0	550,0	550,0	550,0	550,0	550,0	550,0	550,0	550,0	550,0	550,0	550,0	550,0	550,0	550,0	550,0	550,0	550,0	550,0	531,0	459,6	424,4	382,1	333,9	298,7	252,4	218,9			

1) Operating temperature = design temperature minus temperature surcharge acc. to DIN regulations.

■ **Strainer** ■ 990 ST ■ PN 500 ■ DN 10-65/50

**Standard features**

- Die-forged valve body
- Screw cap
- Compact design

**Pressure and temperature ratings**

- Pressure rating up to 550 bar
- Temperature rating up to 650 °C (depending on selected material)
- Maximum pressure difference between inlet and outlet 2 bar

**Materials**

- 1.4901
- 1.4903
- 1.5415
- 1.7335
- 1.7383

**Screen/filter mesh size**

- 0,10 mm
- 0,25 mm
- 0,50 mm
- 1,00 mm

Further materials on request.

**Media**

Depending on the material the strainer is suitable for water, gas, oil and other non aggressive media

**Fields of application**

Chemical industries, power plants, process engineering and other

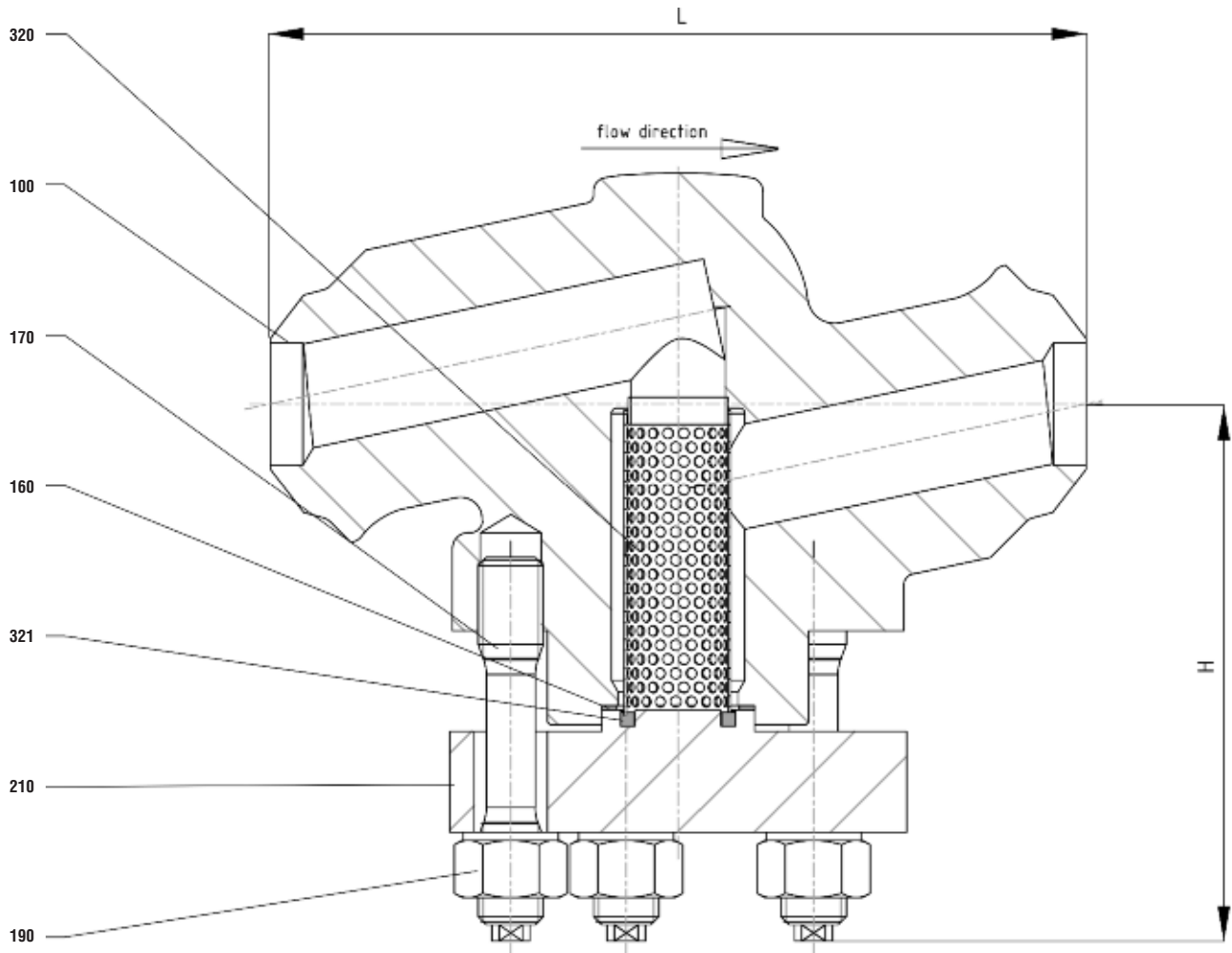
**Design Highlights**

- Body and bonnet in forged steel
- Body in two separate pieces with bolted connection
- Body-bonnet connection male and female
- Differences of screen/filter mesh size

**Benefits**

- In contrast to cast steel parts generally free from porosity and shrink holes
- Improved the service possibilities, f. exchanging the screen filter
- Individually selectable according to the grade of pollution and medium

▪ **Strainer** ▪ 990 ST ▪ PN 500 ▪ DN 10-65/50



■ **Strainer** ■ **990 ST** ■ **PN 500** ■ **DN 10-65/50**

Materials						
Pos.	Components	1.5415 (42)	1.7335 (44)	1.7383 (45)	1.4903 (63)	1.4901 (66)
100	Body	1.5415	1.7335	1.7383	1.4903	1.4901
160	▶ Gasket	Graphite	Graphite	Graphite	Graphite	Graphite
170	Bolt	1.4923	1.4923	1.4923	1.4986	1.4986
190	Hexagonal nut	1.4923	1.4923	1.4923	1.4986	1.4986
210	Cover	1.7383	1.7383	1.7383	1.4903	1.4901
320	▶ Filter cylinder	1.4571	1.4571	1.4571	1.4571	1.4571
321	▶ Packing	Graphite	Graphite	Graphite	Graphite	Graphite
	▶ Spare parts					

Dimensions/mm		
DN	L	H
<b>10</b>	150	100
<b>15</b>	150	100
<b>20</b>	180	127
<b>25</b>	180	127
<b>32<sup>1)</sup></b>	300	198
<b>40</b>	300	198
<b>50</b>	300	198
<b>65/50</b>	300	198

1) DN 32 not included in DIN-Standard

**Attention:** In case of welding connections the permissible operating overpressure is valid for the corresponding tube dimensions.

Weights/kg	
DN	EE
<b>10</b>	3,7
<b>15</b>	3,7
<b>20</b>	7,6
<b>25</b>	7,4
<b>32<sup>1)</sup></b>	29,8
<b>40</b>	29,3
<b>50</b>	28,8
<b>65/50</b>	28,8