

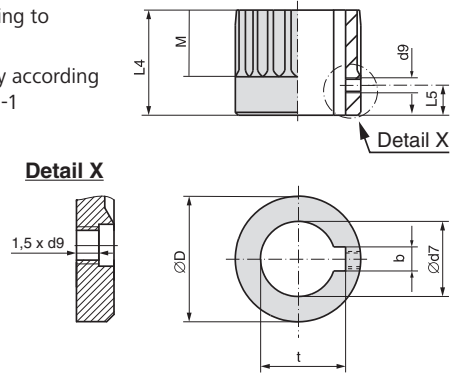
Dimensions	SGC/SGCR 04.1/SGC/SGCR 05.1 SVC/SVCR 05.1		SGC/SGCR 07.1 SVC/SVCR 07.1/SVC/SVCR 07.5		SGC(R) 10.1
	F05	F07	F07	F10	
EN ISO 5211					
A1		53.5	66.5		82.5
A3		80	80		80
B1		77	95		111
C		144	155		155
C1		199	210		210
C2		87	99		114
C3		47	47		60
C4		140	150		–
C5		138	153		174
C6		299	310		310
Ø D1		100	125		160
E		125	135		135
E1		90	100		115
E2		115	115		115
F		100	123		152
H1		84.5	101.5		111
H2		194	219		244
H3		165	190		190
H4		144	144		144
H5		4	10		17
H6		20	23		24
H7		81	81		81
H8		62.5	67.5		67.5
HH min.		30	30		30
L max.		40	50		60
Ø d1		90	90		125
Ø d2 f8	35	55	55		70
Ø d3	50	70	70		102
d4	M6	M8	M8		M10
Ø d7		15	15		20
h		3	3		3
h1	12	15	15		14
z		4	4		4

We reserve the right to alter data according to improvements made. Previous documents become invalid with the issue of this document.

SGC 04.1 – SGC 10.1/SVC 05.1 – SVC 07.5
SGCR 04.1 – SGCR 10.1/SVCR 05.1 – SVCR 07.5

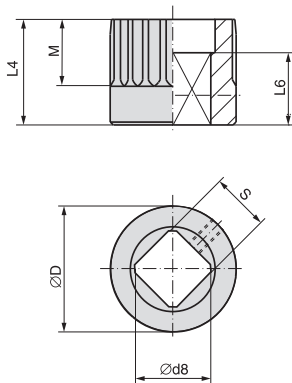
Dimensions Couplings according to EN ISO 5211, DIN 6885

Bore according to
EN ISO 5211
With keyway according
to DIN 6885-1



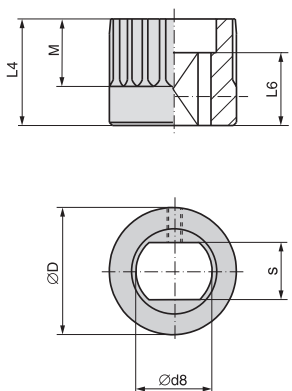
Dimensions	SGC(R) 04.1/SGC(R) 05.1 SVC(R) 05.1		SGC(R) 07.1 SVC(R) 07.1/SVC(R) 07.5	SGC(R) 10.1
	F05	F07	F07	F10
EN ISO 5211	F05	F07	F07	F10
Ø D	31.75		41.75	51.75
b JS9 ¹⁾	6		6	8
Ø d7 H8 ²⁾	18		22	28
Ø d7 max.	20		25.4	38
d9 ³⁾	M4		M5	M6
L4	35		35	45
L5 ³⁾	8		8	10
M	20		20	35
t ¹⁾	20.8		24.8	31.3

Square bore
according to EN ISO 5211



Dimensions	SGC(R) 04.1/SGC(R) 05.1 SVC(R) 05.1		SGC(R) 07.1 SVC(R) 07.1/SVC(R) 07.5	SGC(R) 10.1
	F05	F07	F07	F10
EN ISO 5211	F05	F07	F07	F10
Ø D	31.75		41.75	51.75
Ø d8 min. ²⁾	18.1		22.2	28.2
Ø d8 max.	22.2		28.2	40.2 ⁴⁾
L4	35		35	45
L6 min.	30		30	30
M	20		20	35
s H11 ²⁾	14		17	22
s H11 max.	17		22	30 ⁴⁾

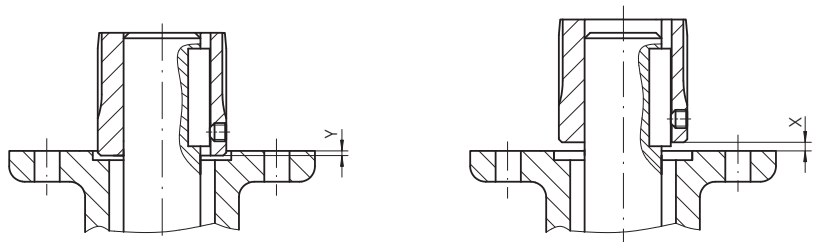
Bore with two-flats
according to EN ISO 5211



Dimensions	SGC(R) 04.1/SGC(R) 05.1 SVC(R) 05.1		SGC(R) 07.1 SVC(R) 07.1/SVC(R) 07.5	SGC(R) 10.1
	F05	F07	F07	F10
EN ISO 5211	F05	F07	F07	F10
Ø D	31.75		41.75	51.75
Ø d8 min. ²⁾	18.1		22.2	28.2
Ø d8 max.	22.2		28.2	36.2
L4	35		35	45
L6 min.	25		25	25
M	20		20	35
s H11 ²⁾	14		17	22
s H11 max.	17		22	27

Mounting position of coupling

X max.	2.5	3.5
Y max.	6	10



- 1) Dimensions depend on Ø d7, refer to DIN 6885-1
- 2) Recommended size according to EN ISO 5211
- 3) Thread with grub screw
- 4) According to DIN 79