



Main Features

- Thermometer for direct mounting on air ducts in ventilation systems
- Class 1 according to EN 13190
- Immersion tube brass
- Immersion length 165 mm

Applications

- Energy
- Machinery
- HVAC

Technical Data

Nominal size	100 mm	Window	Instrument glass
Temperature range	0 ... 80°C / -20 ... 60°C / -30 ... 50°C	Dial	Aluminium, white
Accuracy	Class 1 (according to EN 13190)	Pointer	Aluminium, black
Protection rating	IP 50 (EN 60529)	Minimum immersion length	$L_E \geq 55$ mm
Immersion tube	Brass		
Case	Stainless steel 1.4301 (AISI 304)		
Bezel ring	Stainless steel 1.4301 (AISI 304)		

Options

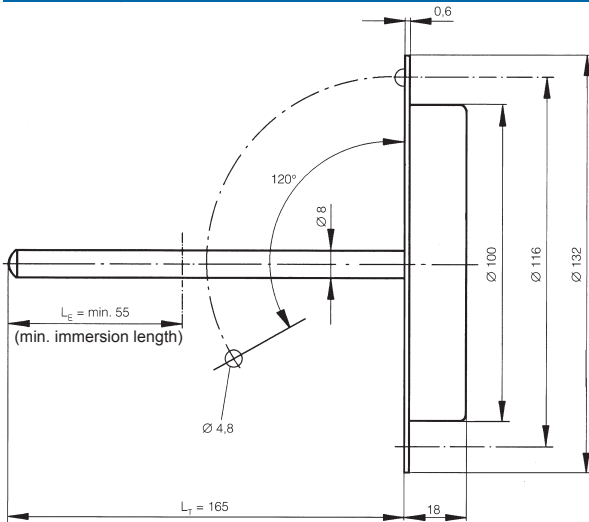
Dampening grease	Code 0581	To be ordered separately	
Acrylic window (PMMA or Plexiglass) ⁽¹⁾	Code 0752	Calibration certificate (3 points)	90001188
Silicon free, label marking	Code 0793		
Silicon free, marking on dial	Code 0794		
Red mark	Code 9700		
Green mark	Code 9701		
Customer logo on dial	Code 9710		
Specific technical data on dial	Code 9711		

⁽¹⁾ The case must not be constantly heated over 75°C.

Temperature ranges

Code	Range °C
27T	0 ... 80
54T	-20 ... 60
70T	-30 ... 50

Drawing (dimensions in mm)



NS	Weight (kg)
100	0.200

Ordering details TBL

	TBL			-	2		.	1		.	xxx	/
Model Bimetal Thermometer for air ducts	TBL											
Nominal size 100 mm		1	0	0								
Case Stainless steel 1.4301 (AISI 304)					2							
Connection Case with back flange for mounting on air ducts						3						
Immersion tube outlet Center back								2				
Indication EN 13190 (Standard)									1			
Immersion tube / diameter / material Ø 8 mm, Cu-alloy										5		
Immersion tube / installed length L_T 165 mm											1	
Unit of measurement / Temperature ranges ⁽¹⁾ °C												xxT
Options to be added behind the / (see example below)												/

⁽¹⁾ Available standard temperature ranges, see table on page 1. For ranges not listed, please contact Baumer.

Ordering example with options

	TBL	100	-	2	3	2	.	1	5	1	.	27T	/	9700
Bimetal Thermometer for air ducts	←													
Nominal size 100 mm	←													
Case stainless steel 1.4301 (AISI 304)	←													
Case with backflange for mounting on air ducts	←													
Immersion tube outlet: Center back	←													
Indication EN 13190 (standard)	←													
Immersion tube Ø 8 mm, Cu-alloy	←													
Immersion length L _T 165 mm	←													
Temperature range: 0 ... 80°C	←													
Option: Red mark	←													