



Main Features

- Thermometer for pipe mounting
- Accuracy $\pm 1\%$ F.S.
- Pipe diameter 1" to 5"

Applications

- HVAC
- Machinery
- Water & Waste water

Technical Data

Nominal size	72 mm
Temperature range	0 ... 120°C / 0 ... 60°C / -20°C ... 40°C
Accuracy	$\pm 1\%$ F.S. ⁽¹⁾
Case	Polycarbonate ⁽²⁾
Window	Polymethylmethacrylate (PMMA)

Dial	Aluminium, white
Pointer	Aluminium, black
Adjustment	At the back of the case, max. $\pm 4^\circ\text{C}$
Mounting	Spring for pipes 1" to 5"

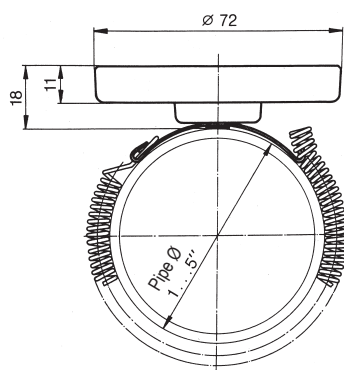
⁽¹⁾ Test conditions: bright steel pipe $\varnothing 48$ medium: water, alcohol for temperature less than 0°C .

⁽²⁾ Heat resistant, max. 120°C .

Temperature ranges & ordering codes

Range °C	Ordering Code
0 ... 120	TBA72/112.111/20T
0 ... 60	TBA72/112.111/11T
-20 ... 40	TBA72/112.111/52T

Drawing (dimensions in mm)



Weight (kg)	
NS	center back
72	0.190