

GEFA KULEVENTIL MED FLENS – SERIE FGT DN15 – DN50



PFA-lined flanged ball valve PN10-PN40 / Class 150 with full bore

Due to the material combination of stainless steel (external) and PFA Fluoropolymer as media-touching lining very good chemical resistance is achieved all-round and external corrosive impacts are taken into account.

The interface acc. DIN 3337 allows an economic automation and the direct mounting of operating elements and actuators.

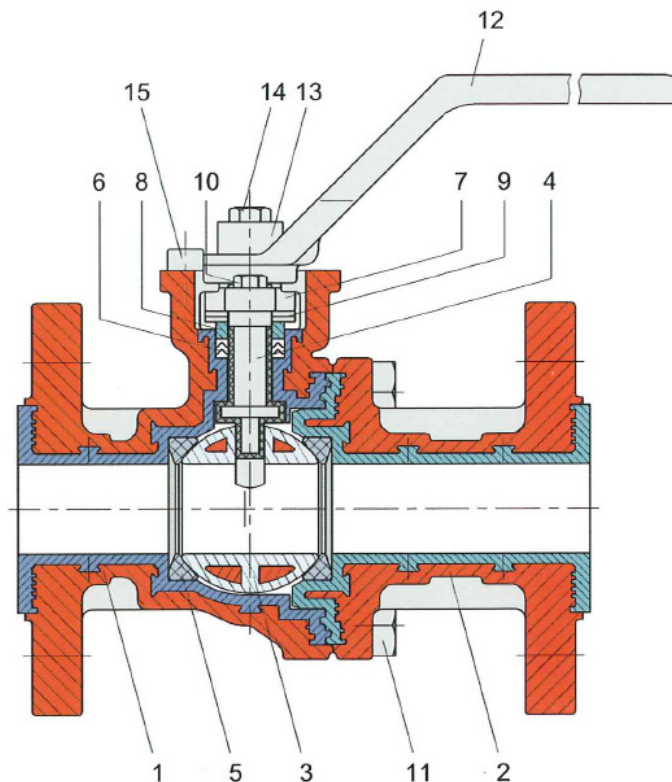
Technical Data:

Body, ball and stem:
PFA-lined

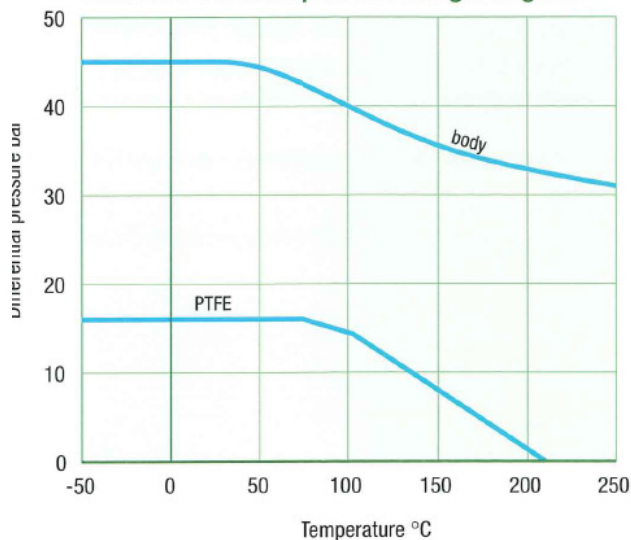
Actuator connection:
DIN 3337 – ISO 5211

Face-to-face dimension:
DIN EN 558-1 line 28
(DIN 3202-F1)

Flange connection:
DIN EN 1092-1, PN 10 - PN 40
ASME B 16.5 – Class 150



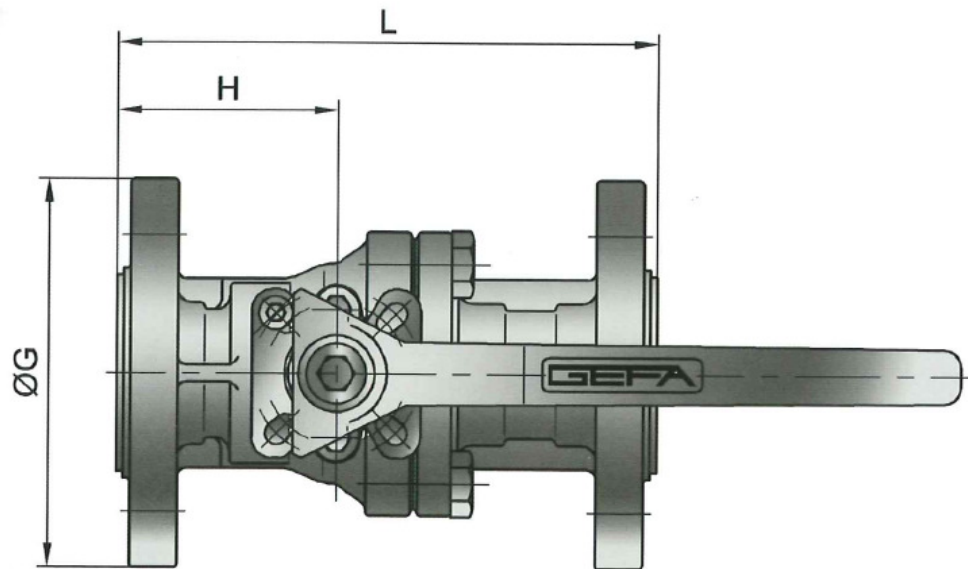
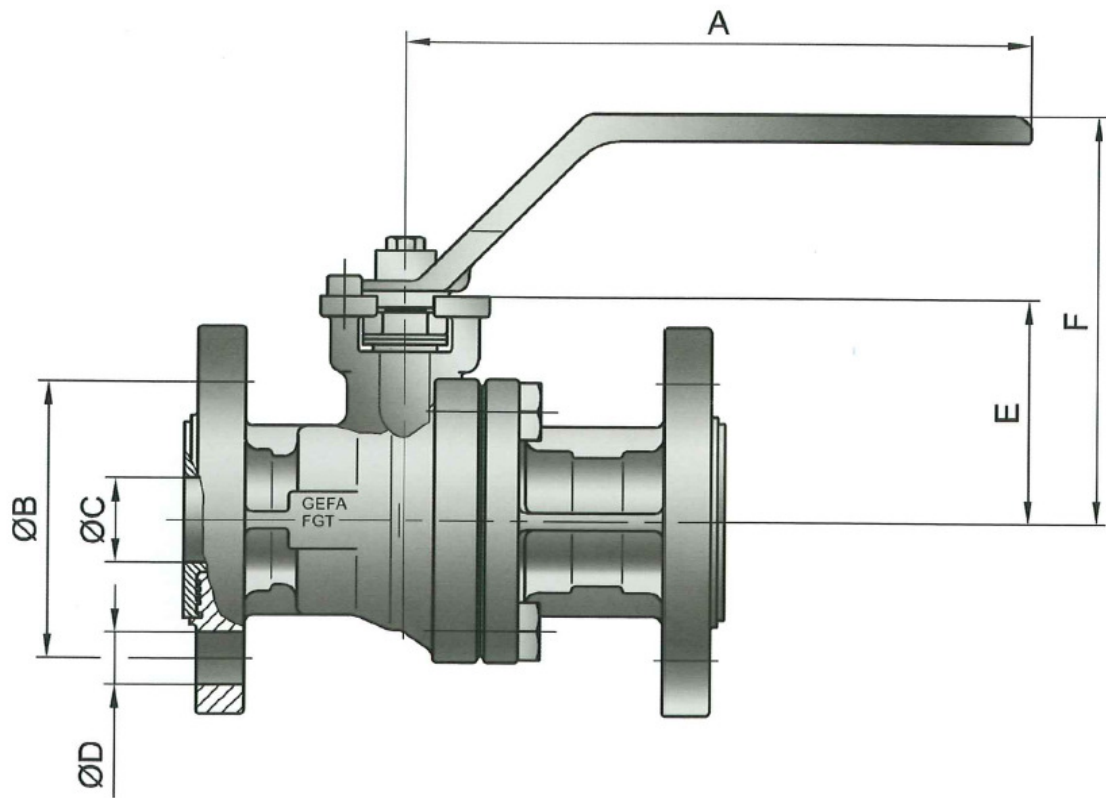
Pressure- and temperature range diagram



Parts list

Item	Description	Materials
1	Body	1.4408 / PFA
2	Body connector	1.4408 / PFA
3	Ball	1.4408 / PFA
4	Stem	1.4313 / PFA
5*	Seat	PTFE
6*	Packing	PTFE
7	Gland flange	1.4308
8	Gland	1.4301
9	Disc spring washer	1.4310
10	Hexagon screw	Stainless steel A2
11	Hexagon screw	Stainless steel A2
12	Hand lever	1.4308
13	Case	1.4305
14	Hexagon screw	Stainless steel A2

* = Wearing parts (repair kit)
Other materials available



DN	NPS	A	Ø B		Ø C	Ø D		E	F	Ø G	H	L	Kg
			PN10-40	Class150		PN10-40	Class150						
15	1/2"	170	65	60,5	17	4 x 14	4 x 15,7	53	103	95	58	130	2,5
20	3/4"	170	75	69,9	20	4 x 14	4 x 15,7	56	105	105	65	150	3,3
25	1"	185	85	79,2	25	4 x 14	4 x 15,7	67	121	115	65	160	4,2
32	1 1/4"	185	100	88,9	32	4 x 18	4 x 15,7	72	126	140	75	180	5,7
40	1 1/2"	230	110	98,6	40	4 x 18	4 x 15,7	83	141	150	85	200	7,3
50	2"	230	125	120,7	50	4 x 18	4 x 19,1	91	148	165	100	230	10,0

Weight including hand lever