



**Strainer box accessible from the top with low headloss.**



## Description

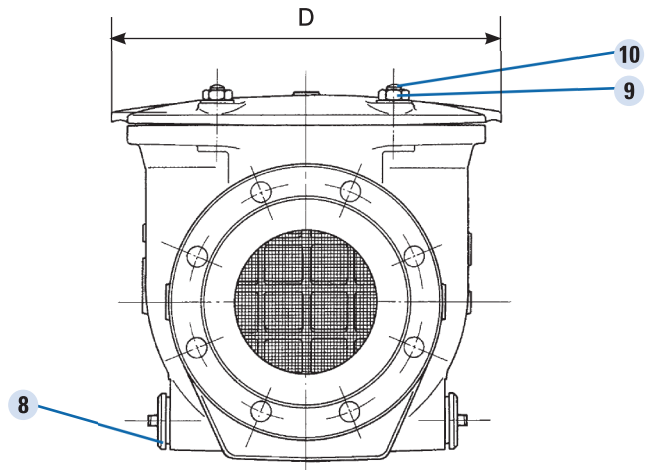
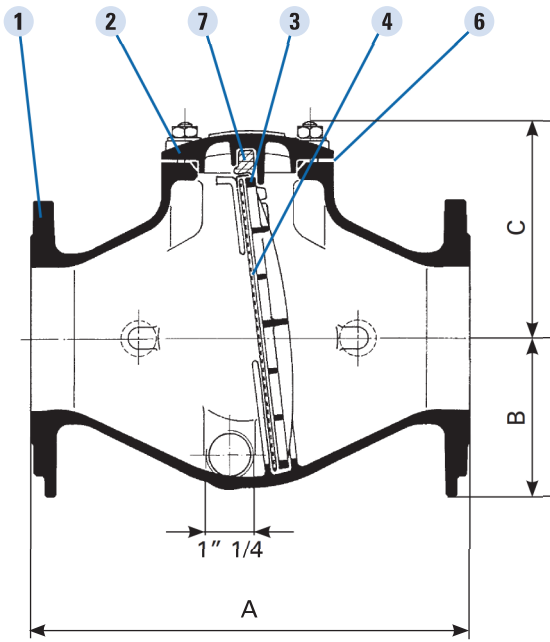
- Compact design.
- Lateral drain plugs allowing installation of a drainage valve (optional) for maintenance without interrupting the water distribution supply.
- Reliability:
  - Body and bonnet in ductile iron.
  - The inclined position of the screen reduces clogging.
  - Low headloss thanks to an important filtering section.
  - Resistant screen holder in ductile iron.
- Protection anticorrosion :
  - Powder epoxy coating,
  - Stainless steel screen.
- Easy dismantling of the bonnet and the screen from the top.

## Applications

- Control valves and water meters protection for:
  - Drinking water networks,
  - Irrigation networks.

## Technical data

- Range: DN 40 to 250.
- Maximal working pressure: PN 25.
- Temperatures: +1°C to +70°C.
- Flange drilling according to standards EN 1092-2 and ISO 7005-2: ISO PN 10, 16 or 25.
- Standard mesh: 2 mm  
Optional: 0.5 or 1 mm, 8x8 mm.
- Maximal differential pressure: 16 bar.



Item	Designation	Qty	Materials	Standards
1	Body	1	Ductile iron/ EN-GJS 450-10	EN 1563
2	Bonnet	1	Ductile iron/ EN-GJS 450-10	EN 1563
3	Screen holder	1	Ductile iron/ EN-GJS 450-10	EN 1563
4	Standard screen (2mm mesh)	1	Stainless steel 316L/X2CrNiMo 17-12-2	EN 10088
5	Optional screen*	1	Stainless steel 316L/X2CrNiMo 17-12-2	EN 10088
6	O-ring body/bonnet	1	Elastomer /EPDM	
7	Filter gasket	1	Elastomer /NBR	
8	Drain cap 1x1/4	2	Copper-alloy /CuZn39Pb2	EN 12164
9	Bolts	acc/DN	Galvanised steel	EN ISO 898
10	Studs	acc/DN	Stainless steel 303/X8CrNiS 18-9	EN 10088

\*Mesh of 0.5 – 1 or 8x8 mm.

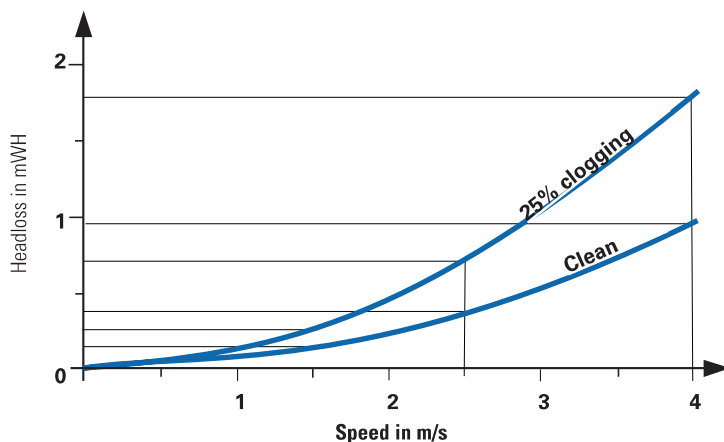
DN	A	B	C	D	Weight
	mm	mm	mm	mm	kg
<b>50*</b>	230	82	112	210	21
<b>65**</b>	230	88	112	210	23
<b>80***</b>	300	105	142	260	25,5
<b>100</b>	300	105	142	260	28,5
<b>125</b>	400	142	192	360	41,5
<b>150</b>	400	142	192	360	44,5
<b>200</b>	500	198	230	452	79,5
<b>250</b>	600	212	230	452	93

\* Double drilling 50/40

\*\* Double drilling 65/60

\*\*\* Loose flanges enable mounting on flanges 4 and 8 holes.

## Hydraulic features



Headloss is low, even in case of partial clogging thanks to an important filtering section.