



Description

Centric butterfly valve with elastomer liner for liquids and gases in the industrial range, general services, water treatment, ...

Product features

- Body construction D1 Wafer DN 25-1000
D3 Lug DN 25-600
D4 U-section DN 150-1600
- Face to face dimension according to ISO 5752/20, EN 558-1/20
- Top flange according to EN ISO 5211
- Max. working pressure 16 bar
- Rating PN6, PN10, PN16, ANSI cl. 150
- Temperature range -20°C ÷ 140°C according to material
- Tightness test according to EN 12266-1/P12 leakage rate A, test fluid water



CE

The butterfly valves DESPONIA meet the safety requirements of the pressure Equipments Directive 97/23/EC (PED) appendix 1 for fluids of the groups 1 and 2.



SIL

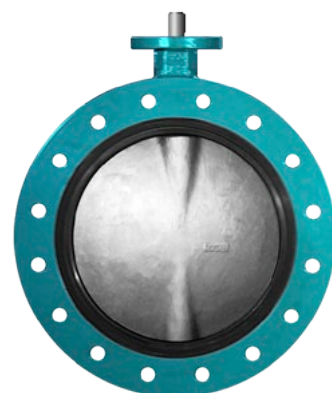
Butterfly valves DESPONIA are suitable to be operated in safety related systems according to IEC 61508 / 61511, Safety Integrity Level SIL 2



D1
Wafer



D3
Lug

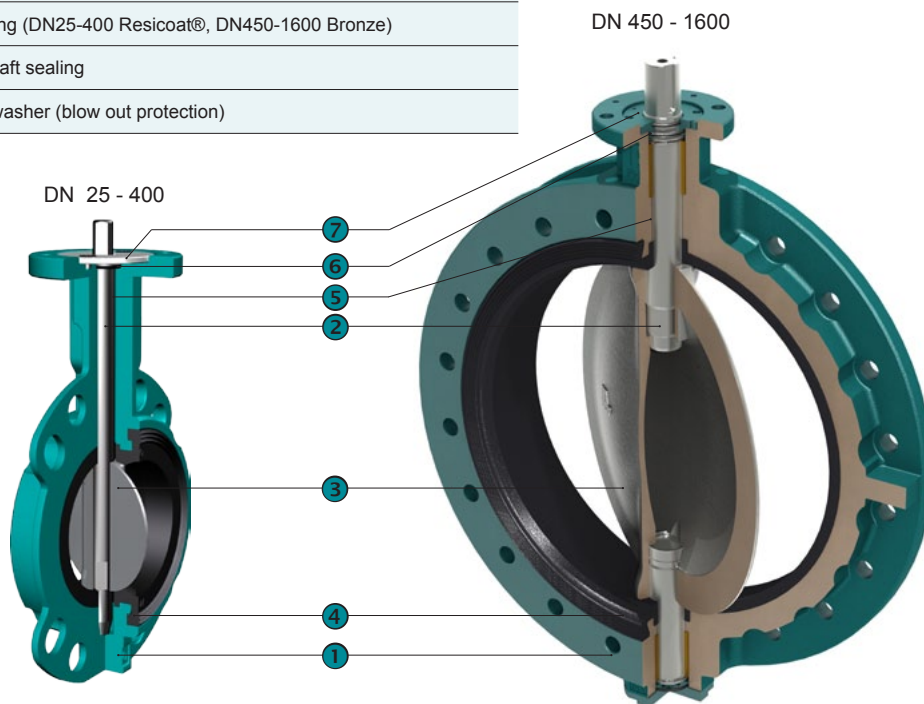


D4
U-section



Construction

1	Body (extended valve neck allowing insulation)
2	Blow out proof shaft with position indication
3	Disc
4	Exchangeable liner with sealing grooves on the tightening face
5	Shaft bearing (DN25-400 Resicoat®, DN450-1600 Bronze)
6	External shaft sealing
7	Retaining washer (blow out protection)



Kv values m³/h

opening angle of the valve

Sizes	20°	30°	40°	50°	60°	70°	80°	90°
25/32		1,5	5	10	15	26	34	40
40		2,7	8,5	16	25	37	46	50
50	2	7	15	28	45	68	88	100
65	3	11	24	48	85	138	180	210
80	8	22	50	83	134	230	312	360
100	15	35	70	130	225	410	585	650
125	28	70	135	230	360	600	920	1050
150	33	95	205	320	580	980	1410	1620
200	60	175	355	580	910	1600	2450	2800
250	132	340	590	940	1480	2550	3950	4480
300	200	505	890	1450	2100	3800	5960	6800
350	280	680	1200	2050	3150	5050	8100	9200
400	365	860	1500	2490	3980	6600	10200	11700
450	465	1080	1900	3150	5050	8700	13300	15200
500	580	1200	2300	3740	6150	11000	16800	18900
600	820	1600	2780	5200	8940	14500	23500	26800
700	890	2050	3450	6050	11050	18800	31500	37100
800	1300	2550	4950	8750	14200	23500	39500	48500
900	1650	3300	6400	11800	19400	31500	52500	61300
1000	2150	4250	8200	15100	23500	39400	65500	80500
1200	4000	7500	12500	19800	34000	55400	98300	119200
1400	5200	10120	18200	32500	51500	89500	142000	162000
1600	7100	14210	26050	45000	71200	118500	196200	228500




Type code

D1 0100 . 3 3 - 2AR . 4A . 2AR . E			
①	②	③ ④	⑤ ⑥ ⑦ ⑧
① Type	D1	Wafer	DN25-1000
	D3	Lug body	DN25-600
	D4	U-section body	DN150-1600
② Nominal diameter	0025-1600	mm	
③ Working pressure	0	2,5 bar	
	1	6 bar	
	*	10/16bar, see table below	
④ Rating	**	PN6/10/16 see table below. Other ratings on request	
⑤ Body	1AE	Cast iron EN-GJL-250, Polyurethan coated 70µ	< 140°C DN450-1600
	2AR	Ductile iron EN-GJS-400-15, Epoxy (Resicoat®) coated 200µ	< 110°C * DN25-400
	2AE	Ductile iron EN-GJS-400-15, Polyurethan coated 70µ	< 140°C DN450-1600
	2AN	Ductile iron EN-GJS-400-15, Polyurethan coated 250µ	< 140°C
⑥ Shaft	4A	Stainless steel 1.4021, AISI420	
	4L	Stainless steel 1.4542 / 17-4PH	
⑦ Disc	2AR	Ductile iron EN-GJS-400-15, Rilsan coated 250µ	< 90°C DN25-700
	2AE	Ductile iron EN-GJS-400-15, Polyurethan coated 70µ	< 120°C DN800-1600
	2AC	Ductile iron EN-GJS-400-15, Chrome coated	DN25-600
	2AH	Ductile iron EN-GJS-400-15, Halar coated min.600µ	< 70°C
	3OD	Carbon steel 1.0552 / GS52.3, Ultralene Coating™ coated	< 80°C, pmax. 10 ≤ DN400 / 6 bar > DN400 DN80-300, 800-1400
	4C0	Stainless steel 1.4408 ≈ CF8M	
	4CP	Stainless steel 1.4408 ≈ CF8M polished	DN25-600
	4I0	Super Duplex steel 1.4573	
	4S0	Super austenitic steel 1.4588	
	5C0	Alubronze ASTM B148 C95800 / G-Cu Al 10 Ni	
⑧ Liner	E	EPDM	< 95°C pmax DN25-1200 = 16 bar, DN1400-1600 = 10 bar
	EE	EPDM DVGW, ACS, WRAS, EN681-1	< 80°C pmax DN25-1200 = 16 bar, DN1400-1600 = 10 bar
	EC	EPDM HT	< 130°C pmax DN25-1200 = 16 bar, DN1400-1600 = 10 bar
	N	Nitril (NBR)	< 100°C pmax DN25-300 = 16 bar, DN350-1600 = 10 bar
	H	CSM (Hypalon)	< 125°C pmax DN25-300 = 16 bar, DN350-1600 = 10 bar
	V	FPM (Viton)	< 200°C pmax DN25-300 = 16 bar, DN350-1600 = 10 bar
		Other materials and white liners on request	

* Working pressure (Code) * For higher temperature than 110°C, please use Desponia *plus!* Other executions on request !

Body material	DN→	25	32	40	50	65	80	100	125	150	200	250	300	350	400	450	500	600	700	800	900	1000	1200	1400	1600	
EN-GJL-250 (1A)	6 bar																									1
	10 bar																									
EN-GJS-400-15 (2A)	10 bar																									
	16 bar																									

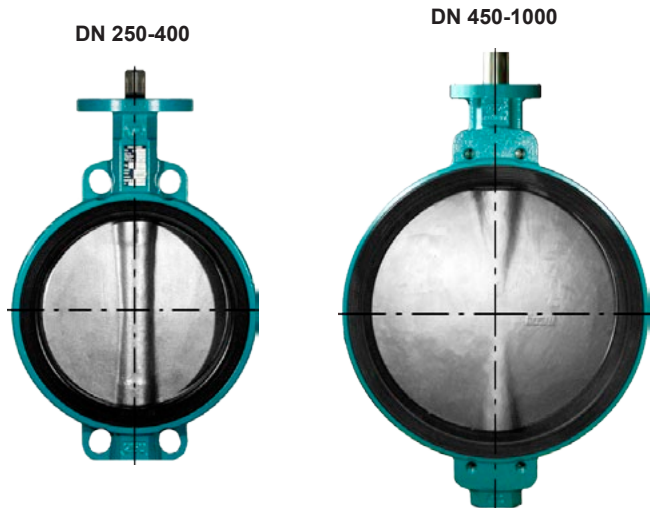
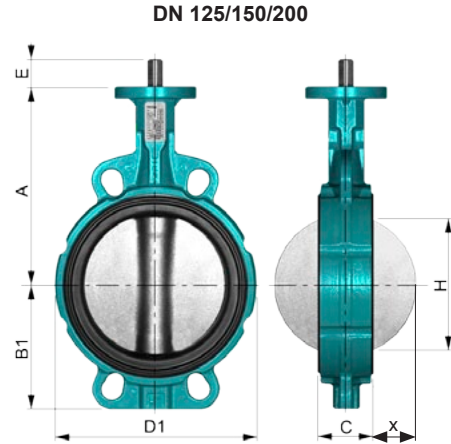
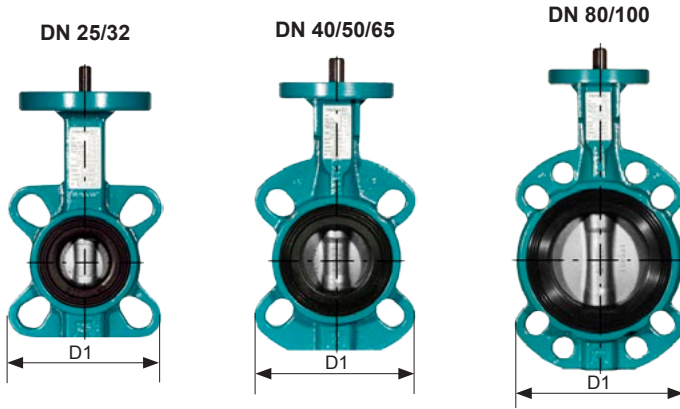
**Rating (Code)

DESPONIA	DN→	25	32	40	50	65	80	100	125	150	200	250	300	350	400	450	500	600	700	800	900	1000	1200	1400	1600	
 D1	PN6																									
	PN10																									
	PN16																									
	ANSI cl. 150																									
 D3	PN10																									
	PN16																									
	ANSI cl. 150																									
 D4	PN10																									
	PN16																									
	ANSI cl. 150																									

Max. pressure and temperature limits of application are dependent of the working conditions.

Dimensions

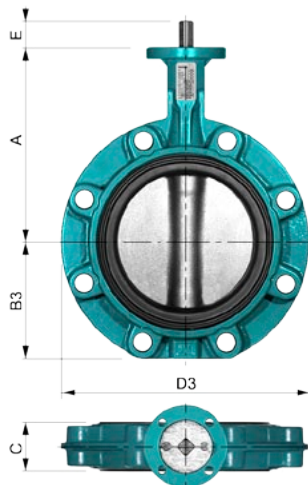
D1 Wafer, DN25-1000



DN	A	B1	C	D1	E	H*	x*	[kg]
(25)32	110	51	30	101	19	19	3	1,4
40	130	54	33	108	19	28	6	2
50	135	72	43	120	19	32	6	3
65	150	82	46	138	19	50	11	3,6
80	160	92	46	142	19	69	19	4
100	180	102	52	162	19	88	26	5,5
125	195	120	56	189	19	115	36	7,5
150	210	133	56	214	19	141	48	8,6
200	240	166	60	270	25	194	72	12,7
250	279	201	68	324	32	240	91	22,2
300	315	234	78	378	32	290	112	30,8
350	330	268	80	425	40	330	130	41,5
400	365	299	102	475	40	377	145	57,2
450	397	355	113	538	65	425	164	95
500	437	393	126	595	65	474	182	125
600	522	464	153	695	80	569	218	180
700	565	503	168	800	80	660	257	280
800	627	577	190	908	80	774	304	387
900	696	643	204	1015	100	855	337	502
1000	745	693	218	1133	100	960	383	710

* When using plastic stubs please check dimension H/x to avoid damaging of disc

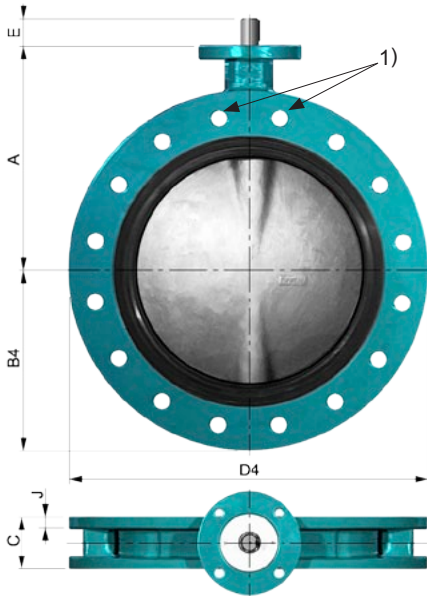
D3 Lug body, DN 25-600



DN	A	B3	C	D3	E	H*	x*	[kg]
25	110	51	30	101	19	19	3	1,4
32	110	51	30	101	19	19	3	1,4
40	130	54	33	108	19	28	6	2
50	135	72	43	116	19	32	6	3,2
65	150	82	46	131	19	50	11	4
80	160	88	46	188	19	69	19	6,1
100	180	102	52	219	19	88	26	8,5
125	195	116	56	248	19	115	36	10
150	210	128	56	274	19	141	48	11
200	240	161	60	332	25	194	72	19,6
250	279	199	68	402	32	240	91	28,7
300	315	234	78	472	32	290	112	41,2
350	330	258	80	520	40	330	130	55
400	365	290	102	584	40	377	145	75
450	397	355	113	655	65	425	164	150
500	437	393	126	712	65	474	182	170
600	522	464	153	829	80	569	218	240

Dimensions

D4 U-section body, DN 150-1600



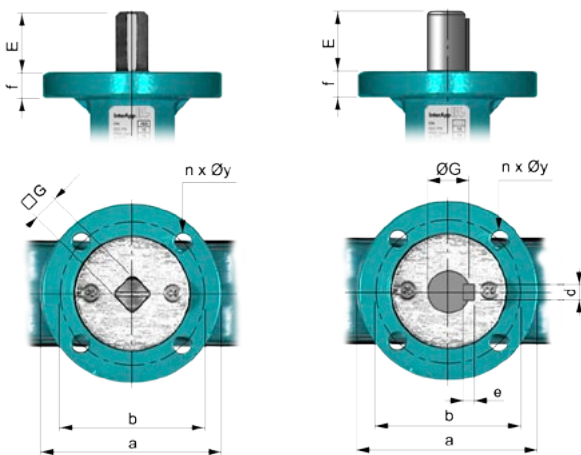
DN	A	B4	C	D4	H*	x*	J	E	[kg]
150	210	143	56	285	141	48	10	19	15
200	240	170	60	340	194	72	12,5	25	19,5
250	279	200	68	406	240	91	15	32	30,5
300	315	239	78	482	290	112	15	32	44
350	330	265	80	533	330	130	18	40	59
400	365	296	102	597	377	145	20	40	82
450	397	355	113	640	425	164	24	65	118
500	437	393	126	715	474	182	26	65	175
600	522	464	153	840	569	218	28,5	80	260
700	565	503	168	927	660	257	31,5	80	345
750	590	541	170	985	709	272	34	80	435
800	627	577	190	1060	774	304	36,5	80	510
900	696	643	204	1170	855	337	38	100	660
1000	745	693	218	1255	960	383	44	100	790
1100	820	738	218	1395	1054	429	44	100	850
1200	881	806	254	1485	1149	462	47	120	1180
1400	990	908	280	1746	1336	543	40	120	1700
1600	1117	1048	318	1924	1553	634	50	155	2600

1) DN 450 - 1600, 2 x threads on valve neck and bottom

Top flange according to ISO 5211

DN 25-400

DN 450-1600



DN	E	G	d	e	f	ISO	a	b	n x Øy
25-40	19	□ 8	-	-	12	F07	90	70	4 x 9
50-100	19	□ 11	-	-	12	F07	90	70	4 x 9
125-150	19	□ 14	-	-	12	F07	90	70	4 x 9
200	25	□ 17	-	-	12	F07	90	70	4 x 9
250-300	32	□ 22	-	-	18	F10/F12	155	102/125	4 x 11 / 4 x 13
350	40	□ 22	-	-	18	F12	155	125	4 x 13
400	40	□ 27	-	-	18	F12	155	125	4 x 13
450-500	65	Ø 45	14	9	25	F14	175	140	4 x 18
600	80	Ø 70	20	12	25	F16	220	165	4 x 22
700	80	Ø 70	20	12	25	F25	300	254	8 x 18
(750)	80	Ø 70	20	12	30	F25	300	254	8 x 18
800	80	Ø 70	20	12	30	F25	300	254	8 x 18
900	100	Ø 80	22	14	30	F30	350	298	8 x 22
1000	100	Ø 80	22	14	30	F30	350	298	8 x 22
(1100)	100	Ø 80	22	14	30	F30	350	298	8 x 22
1200	120	Ø 100	28	16	30	F30	350	298	8 x 22
1400	120	Ø 120	32	18	35	F30	350	298	8 x 22
1600	155	Ø 130	32	18	40	F35	418	356	8 x 33,5

When mounting the valve at the end of a line please note:

- Body type	D3 possible without counter flange D4 only with counter flange
- Body material	2A (EN-GJS-400-15)
- Medium	only for liquids, 10÷30°C
- Max. working pressure (with 16 bar disc)	DN25-200 10 bar
	DN250-600 6 bar
	DN700-1400 2,5 bar

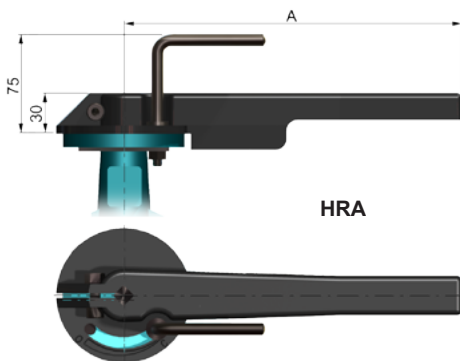
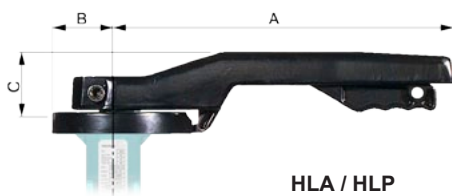
- no water hammer !!!

please consult our document "Flanges"



Dimensions

Handlever (DN25-300)



Aluminium, Epoxy coated

DN		A	B	C	[kg]
25-40	HLA.F0708.180	180	45,5	41	0,4
50-65	HLA.F0711.180	180	45,5	41	0,4
80-100	HLA.F0711.240	243	45,5	43	0,5
125-150	HLA.F0714.340	340	45,5	51	0,6
200	HLA.F0717.340	340	45,5	51	0,6
250-300	HLA.F1222.500	500	77,5	40	2,2

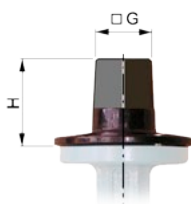
Polyamide PA 6, 30% glass fibers reinforced

DN		A	B	C	[kg]
25-40	HLP.F0708.240	243	45,5	41	0,3
50-65	HLP.F0711.240	243	45,5	41	0,3
80-100	HLP.F0711.240	243	45,5	43	0,3
125-150	HLP.F0714.340	340	45,5	51	0,5
200	HLP.F0717.340	340	45,5	51	0,5

Aluminium, Epoxy coated

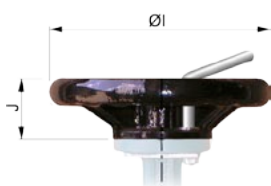
DN		A	[kg]
25-40	HRA.F0708.180	180	0,4
50-65	HRA.F0711.180	180	0,4
80-100	HRA.F0711.250	250	0,5
125-150	HRA.F0714.340	340	0,6
200	HRA.F0717.340	340	0,6

Plumber square (DN25-200)



DN		G	H
25-40	PO.F0708.30	30	65
50-100	PO.F0711.30	30	65
125-150	PO.F0714.30	30	65
200	PO.F0717.30	30	65

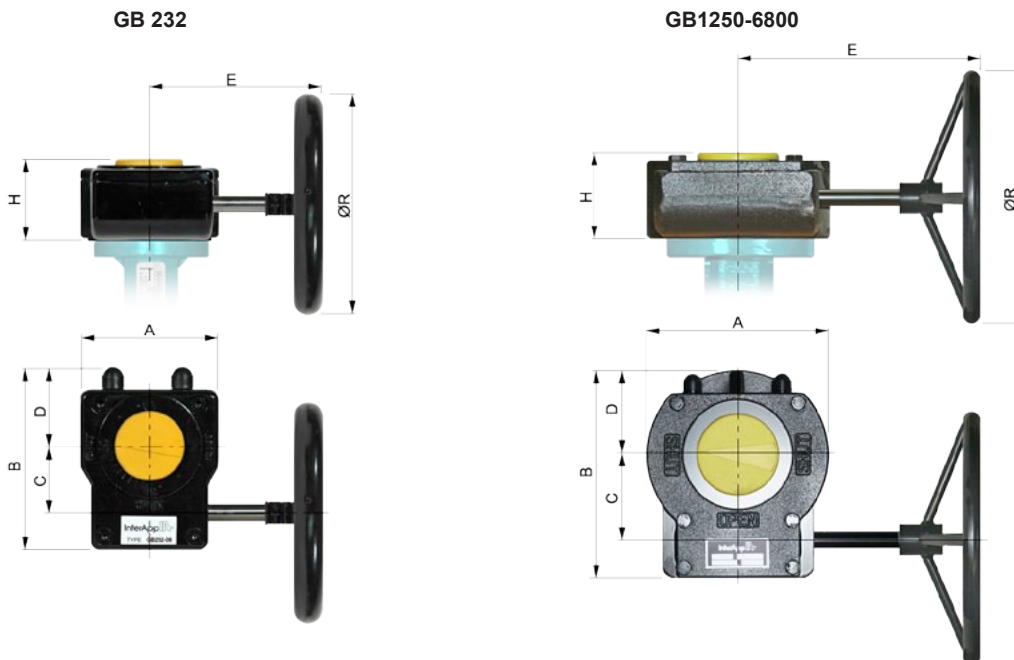
Handwheel (DN25-150)



DN		I	J
25-40	HW.F0708.200	200	52
50-100	HW.F0711.200	200	52
125-150	HW.F0714.250	250	52

Dimensions

Gearbox



For liquids 20°C - 80°C , p_{max} DN25-300 ...16 bar, DN350-1600 ... 10 bar

DN		A	B	C	D	E	H	ØR	n*	[kg]
25-40	GB232-05.F05-F0711.100(R08)	80	114	42,5	48	121	53	100	10	0,8
50-100	GB232-05.F05-F0711.100	80	114	42,5	48	121	53	100	10	0,8
125-150	GB232-05.F05-F0714.100	80	114	42,5	48	121	53	100	10	0,8
200	GB232-06.F05-F0717.160	80	114	42,5	48	180	59	160	10	0,9
250-300	GB232-08.F07-F1022.250	100	131	50	56	216	67	250	9,25	1,55
350	GB232-13.F10-F1222.300	175	209	80	83	361	84	300	10	5,4
400	GB232-13.F10-F1227.500	175	209	80	83	396	84	500	10	5,4
450	GB232-14.F1445.600	175	209	80	83	396	84	600	10	5,4
500	GB1250N.F1445.500	220	258	105	110	347	100	500	13,75	22
600	GB1250N.F1665.700-SH100	220	258	105	110	447	100	700	13,75	22
700	GB1950N/HR.F2570.600	285	402,5	211	142,5	387	155	600	21	32
750	GB1950N/HR.F2570.700-SH100	285	402,5	211	142,5	487	155	600	21	32
800	GB1950N/HR.F2570.700-SH100	285	402,5	211	142,5	487	155	700	21	32
900	GB6800N/SP4.F3080.500	370	482	263	170	500	160	500	79,25	70
1000	GB6800N/SP4.F3080.500	370	482	263	170	500	160	500	79,25	70
1100	GB6800N/SP4.F3080.500	370	482	263	170	500	160	500	79,25	70
1200	GB6800N/SP4.F30100.500	370	482	263	170	500	160	500	79,25	70
1400	GBA250G/SP9.F30120.800	510	725	431	235	629	169	800	176	225
1600	GBA250G/SP9.F35130.800	510	725	431	235	629	169	800	176	225

* n = Handwheel turns ON/OFF



Material:

GB232 : Aluminium, Polyurethan coated

GB880-GB6800 : Cast iron, Polyurethan coated

Further documentation

Pneumatic actuators, Electric actuators, Accessories according separate data sheets.
 Installation guide, Maintenance guide, Flanges: Please consult these guides for the installation and maintenance of our butterfly valves.


Konformitätserklärung DGRL 97/23/CE
Declaration of Conformity PED 97/23/CE


Hersteller
Manufacturer **InterApp-Valcom SA**
 Calderon de la Barca 12-14
 28860 Paracuellos de Jarama
 España

Wir erklären, dass die nachfolgend aufgeführten Armaturen die Sicherheitsanforderungen der Druckgeräterichtlinie 97/23/EG erfüllen.
 We declare that the valves listed below comply with the requirements of the Pressure Equipment Directive 97/23/EC.

Beschreibung der Armaturen
Description: Butterfly Valve - Desponia DN 32 – 1400
 - Desponia plus DN 32 – 600

Einstufung der Armatur
Classification of the valves **Absperrklappen / Butterfly valves** Desponia DN 32- DN 1400
Absperrklappen / Butterfly valves Desponia plus DN 32-600

Fluide Gruppe 1 / Fluids group 1		Fluide Gruppe 2 / Fluids group 2
Gase / Gases	Flüssigkeiten / Liquids	Gase / Gases
DN25/32-150 PN 2.5-20	DN300 PN20	DN200 PN20
DN200 PN2.5-16	DN350-500 PN16-20	DN250 PN16-20
DN250-350 PN2.5-10	DN800-800 PN10-20	DN300 PN16
	DN800-1200 PN 6-20	DN400-500 PN2.5-10
	DN 1400 PN 2.5-20	DN600-800 PN2.5-6
		DN800-1400 PN2.5

Konformitätsbewertungsverfahren
Conformity Assessment Procedure **Module A1**

Benannte Stelle für die Kontrolle
Notified Body for the Inspection **TÜV International Group TÜV Rheinland, S.L. - Nº 1027**

Adresse
Address **Avenida de Burgos, 114 3ª Planta 28050-Madrid**

Zertifikatsnummer
Certificate number **DEP A1 000336**

Angewendete Normen
Technical Standards used **EN 593, EN 1561; EN 1563; etc**

Armaturen DN 25 fallen unter der DGRL 97/23/EG Art. 3 3.1. und sind nicht mit dem CE-Kennzeichen markiert sein. Valcom SA DN 25 comply with the PED 97/23/EC art. 3.3 and are therefore not allowed to be CE-labelled.

Eine auftragbezogene Konformitätserklärung wird auf Wunsch ausgestellt.
 An order related conformity declaration will be issued on request.

für die Bevollmächtigte Vertretung
Authorised Person for the Manufacturer **Managing Director**

Michel Heri
(Name) **Unterschrift**
(Signature) **Datum: 30.05.2008**
(Date)

InterApp AG
 Grundstrasse 24
 CH-6343 Rotkreuz
 Phone +41 (0) 41 7982233
 Fax +41 (0) 41 7982234
 info@ch.interapp.net

InterApp Austria
 Kolpingstrasse 19
 A-1230 Wien
 Phone +43 (0) 1 6162371-0
 Fax +43 (0) 1 6162371-99
 info@at.interapp.net

InterApp Italy
 Via Gramsci 29
 I-20016 Pero (MI)
 Phone +39 02 339371
 Fax +39 02 33937200
 info@it.interapp.net

AVK Mittelmann Armaturen
InterApp Germany
 Schillerstrasse 50
 D-42489 Wülfrath
 Phone +49 (0) 2058 901 01
 Fax +49 (0) 2058 901 110
 info@avkmittelmann.com

AVK Válvulas S.A.
InterApp Válvulas S.A.
 Poligono Industrial Franconi, parcela 27
 E-46006 Tarragona
 Phone +34 977 543 008
 Fax +34 977 541 622
 avk@avkvalvulas.com