

BOURDON
The Original by Baumer



Main Features

- Excellent repeatability
- Fix dead band for control and alarm
- Resistant to accidental overtemperature
- Intrinsic safety Hazardous area 0, 1, 2

Applications

- Power generation safety equipment
- Water treatment
- Valve and compressor control

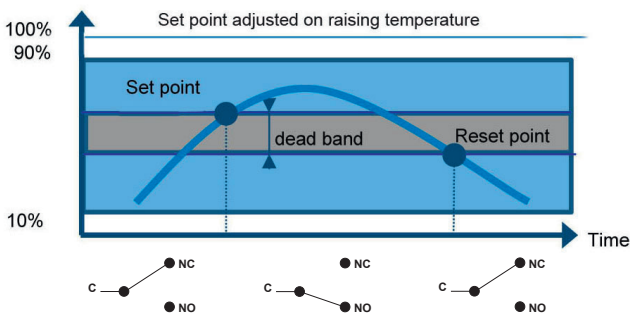
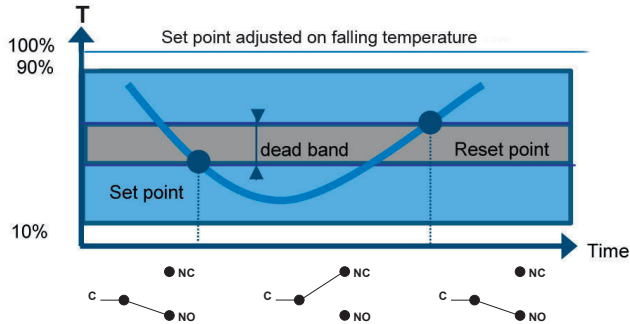
Technical Data

Temperature range	-46 ... 0 °C to 160 ... 250 °C	Electrical connection	Via internal terminal block with cable gland for Ø 5.5 to 8.5 mm
Temperature	Process : -46 ... +250 °C Ambient : -30 ... +70 °C (T5) -30 ... +55 °C (T6) Storage : -40 ... +70 °C	Electrical function	See ordering code details in page 5
Repeatability	± 1% F.S. / constant temperature cycle	Adjustment	Internal adjustment possible for set point
CE conformity	Low Voltage Directive 2014/35/EU ATEX Directive 2014/34/EU	ATEX/IECEx	<u>Certificate</u> LCIE 03 ATEX 6160X IECEx LCIE 15.0058X
Protection rating	IP 66 (EN 60529)		<u>Classification</u> CE Ex I M 1 Ex ia I Ma Ex II 1 G Ex ia IIC T6 or T5 Ga
Process connection	Stainless steel 1.4404 (316L)		<u>Electrical data</u> U _{max} = 30 Vdc I _{max} = 66 mA P _{max} = 0.5 W C _i = Negligible ; L _i = Negligible
Bulb	Stainless steel 1.4404 (316L) Ø 9.5 mm		
Scale	Internal graduated scale		
Weight	0.960 kg + transmission		
Body	Zamak black painting		
Housing	Plastic PA6, blue		
Mounting	Wall mounting 2 x M5 screws		
Ground connection	Via internal terminal block		

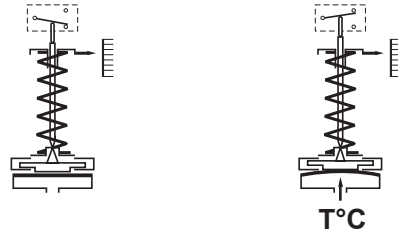
Options

Customer specific set point adjustment	Code SETP
Mounting on 2" pipe	Code 0407
Stainless steel tag plate and wire	Code 9941
Housing prepared for lead seal by customer	Code 8991

Principle



A vapour filled flexible sensing element actuates a microswitch by means of a piston. The set point is adjusted by means of a compressible spring installed in opposition.



Set point and reset point must be between 10% and 90% of the selected scale.

Standard factory adjustment

Setpoint at 50% of the scale on falling temperature

Customer specific factory adjustment (option SETP)

The following specifications have to be given with the order:

- Setpoint value
- Adjustment on falling or raising temperature

Adjustable ranges

Scale	T°C max	Code	Micro-switch dead band ¹⁾	
			Fixed dead band	
			M	
°C	°C		10%	90%
			°C	°C
-46 ... 0	40	40	5	4
-20 ... 20	60	41	5	4
0 ... 45	80	42	3.5	3
40 ... 120	145	43	6	6
100 ... 180	190	44	7	5.5
20 ... 90	120	45	11	11
160 ... 250	290	46	6.5	5
70 ... 150	175	48	11	8

¹⁾ The value of the dead band is depending on the value of the set point.

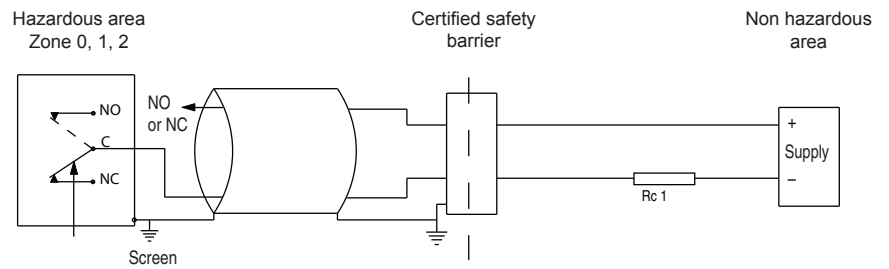
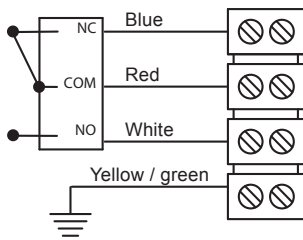
This table contains the dead band values for set point adjustment at 10% and 90% of the selected scale. For other set points the dead band value can be calculated by linear interpolation between the values at 10% and 90%.

Micro switches characteristics

Switch code	M
	Gold contact
6 Vdc	10 ... 50 mA
12 Vdc	10 ... 50 mA
24 Vdc	10 ... 50 mA
30 Vdc	10 ... 50 mA
48 Vdc	N/A
110 Vdc	N/A
220 Vdc	N/A
115 Vac	N/A
250 Vac	N/A
Dielectric rigidity between contacts and ground	2000 V

Electrical connections

Micro switch Terminal block

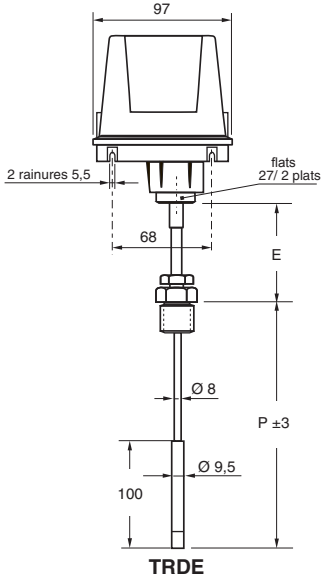


For max. ambient temperature according to temperature classes T5 and T6 refer to technical data on page 1.
The installation must be made in an intrinsically safe circuit whose certified electrical safety parameters do not exceed any of the values U_{max} , I_{max} and P_{max} given in the electrical data on page 1.

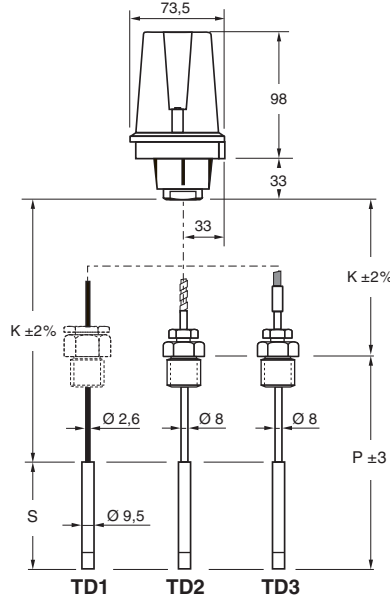
All necessary measures must be taken by the user, to avoid the calorific transfer from the fluid to the apparatus head increasing the head's temperature to such that it reaches the self-ignition temperature of the gas in which it is used.

Dimensions (mm)

Direct mount temperature switches



Temperature switches with capillary



S = Bulb length (temperature sensitive part)

A = Additional stem length (min. 25 mm)

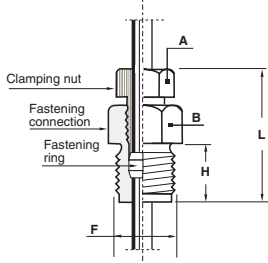
P = Immersion length (P = S + A)

K = Capillary length (only TD1, TD2, TD3)

E = Extension between process connection and housing only TRDE1 and TRDE2

For version TD1 there is no additional stem length (A = 0). The sliding connection is mounted on the capillary.

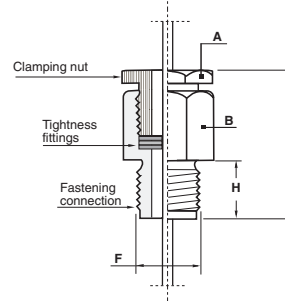
Stainless steel sliding male connection (TD2/3, TRDE1/2)



Thread and sizes		
F	G 1/2	1/2 NPT
H	18	21
L	36	40
A	17/flat	17/flat
B	23/flat	23/flat

After tightening of the clamping nut, the stem is fixed in the process connection. Tight up to 40 bar.

Stainless steel sliding male connection (TD1)



Thread and sizes		
F	G 1/2	1/2 NPT
H	18	21
L	43	46
A	27/flat	27/flat
B	27/flat	27/flat

Waterproof after tightening mounted on the capillary.

Bulb length (S) according to the capillary length (K) and the temperature range (code)

	Capillary	Code	40	41	42	43	44	45	46	48
TRDE1	n/a	S / mm	100	100	100	100	n/a	100	n/a	n/a
TRDE2	n/a	S / mm	100	100	100	100	100	100	100	100
TD1, TD2, TD3	K = 1...4 m	S / mm	100	100	100	100	100	100	100	100
TD1, TD2, TD3	K = 5...7 m	S / mm	100	150	150	100	100	150	100	100
TD1, TD2, TD3	K = 8...10 m	S / mm	100	200	200	100	100	200	100	100

Versions with S = 150 mm or S = 200 mm are not feasible with P = 150 mm

Ordering details RT2Y

	RT2	-		.	.					/
Model	RT2	-		.	.					/
Compact temperature switch	RT2	-		.	.					/
Approvals			Y							
ATEX/IECEX intrinsic safety			Y							
Type of microswitch						M				
1 SPDT gold contact change over switch						M				
Temperature range (°C)										
-46 ... 0									40	
-20 ... 20									41	
0 ... 45									42	
40 ... 120									43	
100 ... 180								(not for TRDE1)	44	
20 ... 90									45	
160 ... 250								(not for TRDE1)	46	
70 ... 150								(not for TRDE1)	48	
Type of transmission										
TD1								Stainless steel capillary without protection	1	
TD2								Stainless steel capillary with stainless steel protection	2	
TD3								Stainless steel capillary with stainless steel protection and PVC coating	3	
TRDE1								Rigid transmission with E=65 mm for temperature measurement below 120 °C	C	
TRDE2								Rigid transmission with E=120 mm for all temperature measurement	D	
Capillary length (K)										
Direct mounting								(for TRDE1 and TRDE2)	0	
1 meter									1	
2 meters									2	
3 meters									3	
4 meters									4	
5 meters									5	
6 meters									6	
7 meters									7	
8 meters									8	
9 meters									9	
10 meters									A	
Immersion length (P)								Immersion length (P) = Bulb length (S) + additional stem length (A)		
P = S + 25 mm (minimum additional stem length A = 25 mm, for S see table on page 4)									0	
P = 150 mm								(not for TD1)	3	
P = 250 mm								(not for TD1)	4	
P = 400 mm								(not for TD1)	5	
P = 600 mm								(not for TD1)	6	
P = 1000 mm								(not for TD1)	D	
Bulb diameter										
Ø 9.5 mm									C	
Process connection										
Without									0	
G1/2 male (standard)									3	
1/2 NPT male									6	
Options to be added behind the / (see example below)										/

Ordering example with options

	RT2	-	Y	M	.	40	.	2	1	3	C	3	/	9941
Compact temperature switch	RT2	-			.								/	
ATEX/IECEX intrinsic safety			Y		.									
1 SPDT gold contact change over switch				M	.									
Temperature range -46 ... 0 °C					.	40	.							
Transmission TD2							.	2						
Capillary 1 meter									1					
Immersion length 150 mm										3				
Bulb Ø 9.5 mm											C			
Process connection G1/2												3		
Option: Stainless steel tag plate and wire													/	9941