



**BOURDON**  
The Original by Baumer



## Main Features

- Excellent repeatability
- Dead band adjustment for regulation
- Fix dead band for control and alarm
- Explosion proof Hazardous areas 1, 2, 21, 22

## Applications

- Power generation safety equipment

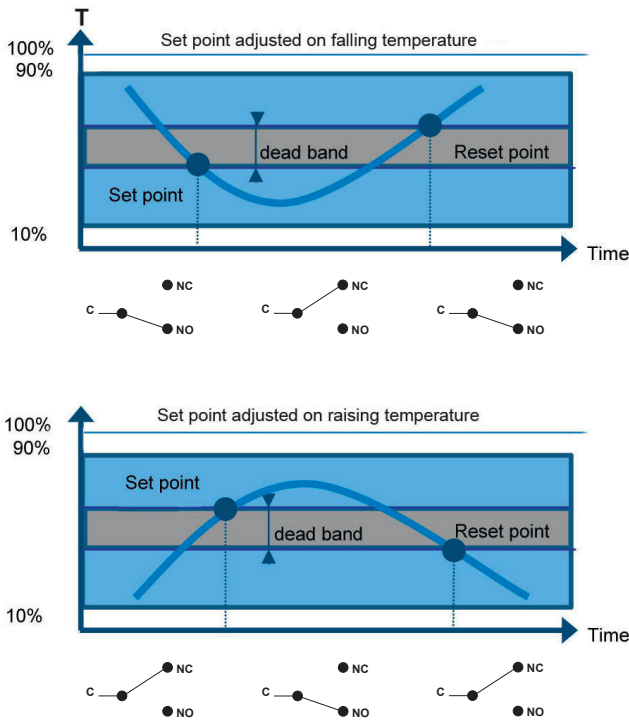
## Technical Data

Temperature range	-46 ... 0 °C to 200 ... 270 °C	Ground connection	Via internal terminal block
Temperature	Process: -46 ... +270 °C Ambient: -30 ... + 55 °C Storage: -40 ... + 55 °C	Electrical connection	Terminal block with metallic cable gland for Ø 7 to 12 mm standard
Repeatability	± 1% F.S. / constant temperature cycle	Electrical function	See ordering code details on page 5
CE conformity	Low Voltage Directive 2014/35/EU ATEX Directive 2014/34/EU	Adjustment	2 external adjustment screws on top of the case for set point and dead band
Protection rating	IP 66 (EN 60529)	ATEX/IECEX	<u>Certificate</u> LCIE 03 ATEX 6231X (Type RA80) IECEX LCIE 15.0061X
Process connection	Stainless steel 1.4404 (316L)		<u>Classification</u> C € Ex II 2 G D Ex d IIC T6 or T5 Gb Ex tb IIIC IIC T80 °C or T95 °C Db
Bulb	Stainless steel 1.4435/1.4404 (316L)		<u>T° ambient</u> -20 °C to +60 °C (T6 or T80 °C) or -20 °C to +70 °C (T5 or T95 °C)
Capillary	RTA: Copper alloy RTN: Stainless steel 1.4404 (316L) For types of protection see ordering details on page 5		
Scale	Internal. Accuracy on reading ± 5% F.S.		
Housing	Type RA80, explosion proof, flameproof Aluminium epoxy painted. Captive stainless steel screws		
Mounting	3 back lugs for wall mounting		

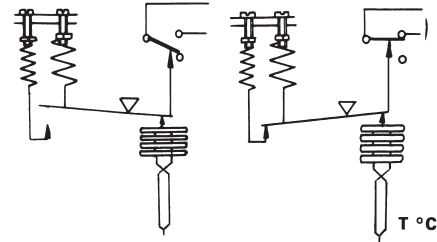
## Options

Customer specific set point adjustment	Code SETP
Mounting on 2" pipe	Code 0407
Stainless steel tag plate and wire	Code 9941
Lead seal of the adjustment screws	Code 8990
Nuclear cleanliness (RTN only)	Code 0838

## Principle



A vapour filled flexible sensing element actuates a microswitch by means of a lever. The set point is adjusted by means of a compressible spring installed in opposition.



Set point and reset point must be between 10% and 90% of the selected scale.

### Standard factory adjustment

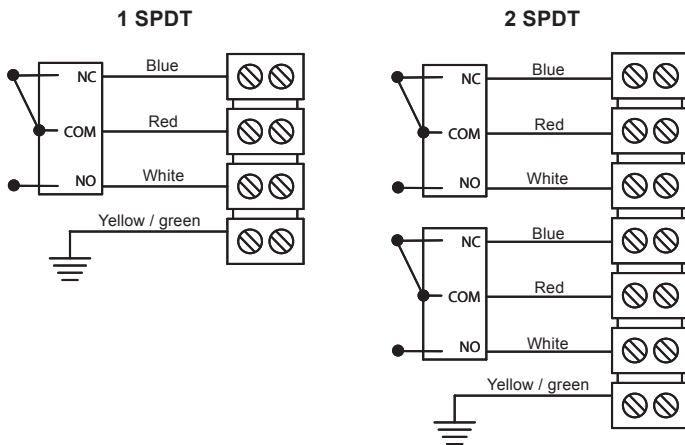
Setpoint at 50% of the scale on falling temperature

### Customer specific factory adjustment (option SETP)

The following specifications have to be given with the order:

- Setpoint value
- Adjustment on falling or raising temperature
- Dead band value (as needed) when using an adjustable dead band switch

## Electrical connections



### Hazardous areas: 1, 2, 21, 22

-20 °C ≤ Ta ≤ +70 °C	Dust IP6x	Gases
	T° surface	Class
Ta = 60 °C	80 °C	T6
Ta = 70 °C	95 °C	T5

**Important : Maximum power dissipated inside enclosure does not exceed 5 W**

All necessary measures must be taken by the user, to avoid the calorific transfer from the fluid to the apparatus head increasing the head's temperature to such that it reaches the self-ignition temperature of the gas in which it is used.

## Micro switches characteristics

Switch code	A (B)	M (K)	C (W)	E (F)	D (V)
Type	Standard	Gold contact	Hermetic	Ultra sensitive	Ultra sensitive Hermetic
6 Vdc	0.4 ... 10 A	10 ... 50 mA	5 mA ... 4 A	0.4 ... 1 A	0.4 ... 4 A
12 Vdc	0.4 ... 10 A	10 ... 50 mA	5 mA ... 4 A	0.4 ... 1 A	0.4 ... 4 A
24 Vdc	0.4 ... 6 A	10 ... 50 mA	5 mA ... 4 A	0.4 ... 1 A	0.4 ... 4 A
30 Vdc	0.4 ... 6 A	10 ... 50 mA	5 mA ... 3 A	0.4 ... 1 A	0.4 ... 2 A
48 Vdc	0.4 ... 6 A	10 ... 50 mA	5 mA ... 3 A	N/A	N/A
110 Vdc	0.1 ... 0.5 A	10 ... 50 mA	5 mA ... 1 A	N/A	N/A
220 Vdc	0.1 ... 0.25 A	10 ... 50 mA	5 mA ... 0.5 A	N/A	N/A
115 Vac	0.4 ... 10 A	10 ... 50 mA	50 mA ... 3 A	0.4 ... 10 A	N/A
250 Vac	0.2 ... 10 A	N/A	50 mA ... 2.5 A	0.2 ... 10 A	N/A
Dielectric rigidity between contacts and ground	2000 V	2000 V	1500 V	2000 V	1000 V

## Adjustable ranges

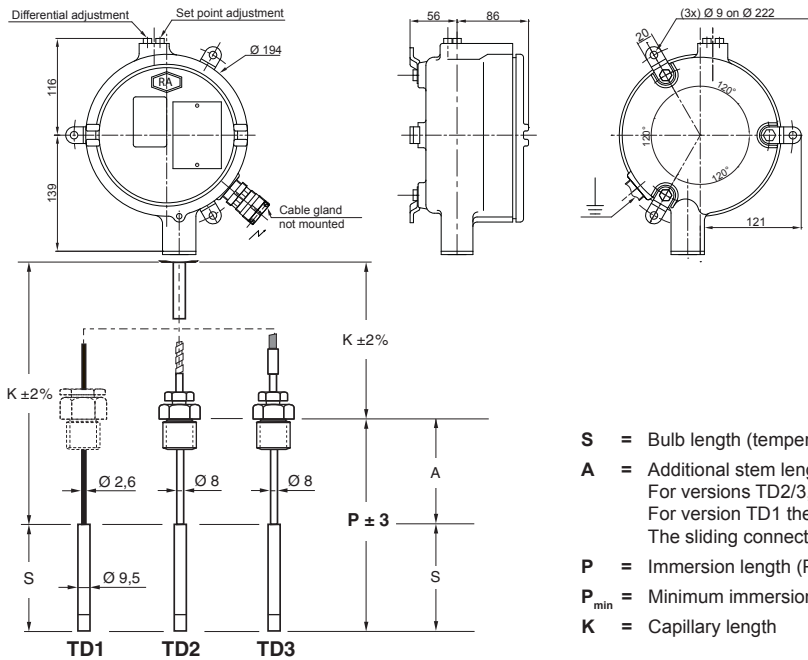
Scale	T <sub>Max</sub> accidental	Code	Micro-switch dead band <sup>(1)</sup>									
			Adjustable dead band				Fixed dead band					
			A (B*)		M (K*)		C (W*)		E (F*)		D (V*)	
			10%	90%	10%	90%	10%	90%	10%	90%		
°C			°C									
-46 ... 0	40	400	6 - 13	3 - 13	12 - 18	6 - 18	2.25	1.2	7.5	3.7		
-20 ... 20	60	401	4.5 - 12	2.2 - 12	9 - 15	6 - 15	1.5	0.75	6	3		
0 ... 45	60	402	6 - 13	3 - 13	10 - 18	6 - 18	2.25	1.05	7.5	3.7		
40 ... 120	145	403	7.5 - 24	4.5 - 24	15 - 30	9 - 30	3	1.8	9	6		
100 ... 160	180	414	7.5 - 18	4.5 - 18	13 - 22	7.5 - 22	3	1.5	9	4.5		
20 ... 80	100	415	7.5 - 18	4.5 - 18	13 - 22	7.5 - 22	3	1.5	9	4.5		
160 ... 250	290	406	9 - 24	6 - 24	16 - 33	10 - 33	3.75	1.8	12	6.7		
70 ... 150	175	408	7.5 - 24	6 - 24	15 - 30	9 - 30	3	1.5	9	6		
130 ... 190	210	412	7.5 - 18	4.5 - 18	13 - 22	7.5 - 22	3	1.5	9	4.5		
200 ... 270	290	413	7.5 - 18	4.5 - 18	13 - 22	7.5 - 22	-	1.5	9	4.5		

(\*) For version with 2 microswitches lower values of the dead band must be multiplied x 1.5

<sup>(1)</sup> The value of the dead band is depending on the value of the set point.

This table contains the dead band values for set point adjustment at 10% and 90% of the selected scale. For adjustable dead band the lower value corresponds to the dead band spring totally released and the higher corresponds to the dead band spring fully tensed. For other set points the dead band value can be calculated by linear interpolation between the values at 10% and 90%.

## Dimensions (mm)



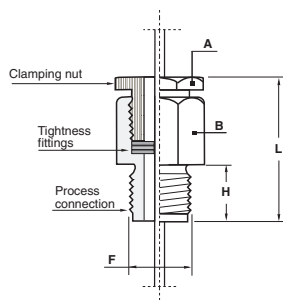
### Bulb length (S) according to the capillary length (K) and the temperature range (code)

Bulb Ø 14 mm	Code	400	401	402	403	406	408	412	413	414	415
<b>K = 0 ... 2 m</b>	S / mm	80	80	80	80	80	80	80	80	80	80
<b>K = 3 ... 7 m</b>	S / mm	100	100	100	100	100	100	100	100	100	100
<b>K = 8 ... 16 m</b>	S / mm	150	150	150	150	150	150	150	150	150	150
<b>K = 17 ... 20 m</b>	S / mm	180	180	180	180	180	180	180	–	180	180

Bulb Ø 9.5 mm	Code	400	401	402	403	406	408	412	413	414	415
<b>K = 0 ... 2 m</b>	S / mm	155	155	155	155	155	155	155	155	155	155
<b>K = 3 ... 7 m</b>	S / mm	200	200	200	200	200	200	200	200	200	200
<b>K = 8 ... 16 m</b>	S / mm	300	300	300	300	300	300	300	300	300	300
<b>K = 17 ... 20 m</b>	S / mm	370	370	370	370	370	370	370	–	370	370

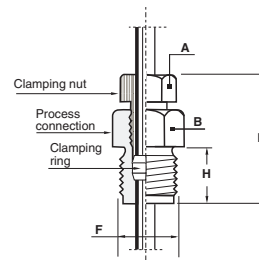
### Stainless steel sliding male connection (TD1)



Thread and sizes		
<b>F</b>	G 1/2	1/2 NPT
<b>H</b>	18	21
<b>L</b>	43	46
<b>A</b>	27/flat	27/flat
<b>B</b>	27/flat	27/flat

Waterproof after tightening mounted on the capillary.

### Stainless steel sliding male connection (TD2/3)



Thread and sizes		
<b>F</b>	G 1/2	1/2 NPT
<b>H</b>	18	21
<b>L</b>	36	40
<b>A</b>	17/flat	17/flat
<b>B</b>	23/flat	23/flat

After tightening of the clamping nut, the stem is fixed in the process connection. Tight up to 40 bar.

## Ordering details RTNE4 - RTAE4

		RT	-	E	.	4xx	.				/
<b>Model</b>		RT	-	E	.	4xx	.				/
Industrial temperature switch											
<b>Type of the bulb</b>											
Stainless steel bulb and Copper alloy capillary				A							
Stainless steel bulb and capillary				N							
<b>Approvals</b>											
ATEX/IECEX explosion proof				E							
<b>Type of micro switches</b>											
<b>Deadband</b>											
1 SPDT standard changeover switch				Adjustable		A					
2 SPDT standard changeover switch				Adjustable		B					
1 SPDT hermetically changeover switch				Adjustable		C					
2 SPDT hermetically changeover switch				Adjustable		W					
1 SPDT ultra sensitive changeover switch				Fix		E					
2 SPDT ultra sensitive changeover switch				Fix		F					
1 SPDT hermetically, ultra sensitive changeover switch				Fix		D					
2 SPDT hermetically, ultra sensitive changeover switch				Fix		V					
1 SPDT gold contact changeover switch				Adjustable		M					
2 SPDT gold contact changeover switch				Adjustable		K					
<b>Temperature range (°C)</b>											
-46 ... 0						400					
-20 ... 20						401					
0 ... 45						402					
40 ... 120						403					
100 ... 160						414					
20 ... 80						415					
160 ... 250						406					
70 ... 150						408					
130 ... 190						412					
200 ... 270						413					
<b>Type of capillary</b>											
TD1		Capillary without protection								1	
TD2		Capillary with stainless steel protection								2	
TD3		Capillary with stainless steel protection and PVC coating								3	
<b>Capillary length (K)</b>											
1 meter											1
2 meters											2
3 meters											3
4 meters											4
5 meters											5
6 meters											6
7 meters											7
8 meters											8
9 meters											9
10 meters											A
11 meters											B
12 meters											C
13 meters											D
14 meters											E
15 meters											F
16 meters											G
17 meters											H
18 meters											J
19 meters											K
20 meters											L
<b>Immersion length (P)</b>											
P = S + 25 mm		Immersion length (P) = Bulb length (S) + additional stem length (A)									0
P = 150 mm		(For S see tables on page 4)									3
P = 160 mm		(not for TD1)									2
P = 250 mm		(not for TD1)									4
P = 400 mm		(not for TD1)									5
P = 600 mm		(not for TD1)									6
P = 1000 mm		(not for TD1)									D
<b>Bulb diameter</b>											
Ø 14 mm (standard)											E
Ø 9.5 mm											C
<b>Process connection</b>											
Without											0
G1/2											3
1/2 NPT											6
<b>Options to be added behind the / (see example below)</b>											/

**Ordering example with options**

RT	-	A	E	A	.	400	.	2	2	2	E	3	/	SETP	-	9941
----	---	---	---	---	---	-----	---	---	---	---	---	---	---	------	---	------

