

# SPECIALIST FLOW TRANSDUCERS

## Technical Specifications:

The dB3 with Double Sun Shields and dBMACH3 transducers have been designed specifically for open channel flow measurement.



### PHYSICAL: MODEL OPTION SPECIFIC

Model Option:	dBMACH3	dB3 with Double Sun Shields
<b>Sensor Body Dimensions</b>	180 mm D (sunshield) x 205 mm H (7.08 in x 8.07 in)	180 mm D (sunshield) x 115 mm H (7.08 in x 4.52 in)
<b>Weight</b>	Nominal 1.1 kg (2.4 lb)	Nominal 1.1 kg (2.4 lb)
<b>Max. and Min. Temperature (Electronics)</b>	Standard: -30 °C to +90 °C (-22 °F to +194 °F) ATEX: -30 °C to +75 °C (-22 °F to +167 °F)	Standard: -40 °C to +90 °C (-40 °F to +194 °F) ATEX: -40 °C to +75 °C (-40 °F to +167 °F)
<b>Measurement Range</b>	0 mm to 2.425 m (0 in to 7.95 ft)	0.125 mm to 3 m (0.41 in to 10 ft)
<b>Accuracy</b>	±1 mm (0.039 in)	0.25% or 6 mm (0.24 in) whichever is greater
<b>Resolution</b>	±0.5 mm (0.019 in)	0.01% or 2 mm (0.08 in) whichever is greater
<b>MCERTS Certified</b>	Not Applicable	Class 1 (0.193%) when used with FlowCERT Lite

### PHYSICAL: BOTH TRANSDUCERS

<b>Sensor Body Material</b>	Valox 357 U and syntactic foam face
<b>Cable Lengths</b>	Standard = 5 m, 10 m, 20 m or 30 m (16.4 ft, 32.8 ft, 65.6 ft or 98.4 ft). Optional: up to 150 m (492 ft) maximum (increments of 10 m / 32.8 ft only)
<b>Maximum Separation</b>	500 m (1,640 ft)
<b>Mounting Connection</b>	BSP or 1" NPT

### ENVIRONMENTAL

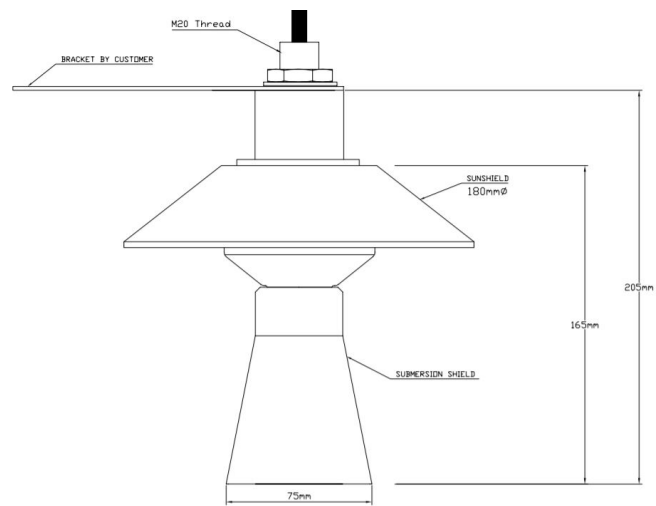
<b>Enclosure Protection</b>	IP68 / NEMA 6P
-----------------------------	----------------

### APPROVALS

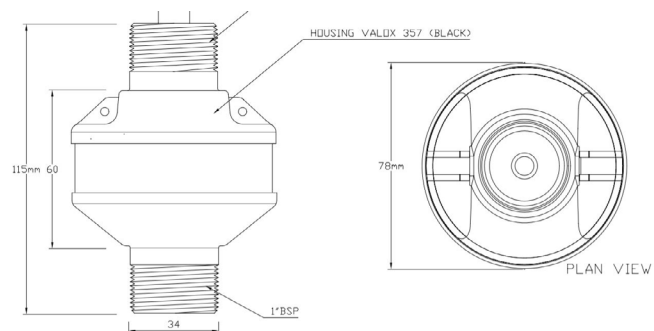
<b>CE Approval</b>	2014/30/EU - EMC & 2014/34/EU ATEX Directives. Standards applied: EN 60079-0:2012+A11:2013 / EN 60079-11:2012 / EN 60079-18:2009 / EN 60079-26:2007 / EN 61326-1:2013
<b>ATEX Approval</b>	Standard ATEX EEx m II T6 or optional EEx ia IIC T6. FM/FMC approval.

### PERFORMANCE

<b>Frequency</b>	125kHz
<b>Beam Angle</b>	<10°



dBMACH3 Transducer Drawing



dB3 Transducer Drawing (not including Sun Shields)

## Delivering the Measure of Possibility

Pulsar Measurement offers worldwide professional support for all of our products, and our network of reps and distributors all offer full support and training. Our facilities in Malvern, UK and Largo, USA are home to technical support teams who are always available to answer your call or attend your site when required. Our global presence, with direct offices in the UK, USA, Canada, and Malaysia allow us to create close relationships with our customers and provide service, support, training, and information throughout the lifetime of your product.

By taking a step forward in echo processing technology, Pulsar Measurement addresses applications previously thought to be beyond the scope of ultrasonic measurement. This technology improves signal processing at the transducer head which has made it possible to increase resistance to electrical noise, enabling the transducer to 'zone in' on the true echo.

For more information, please visit our website:

[www.pulsarmeasurement.com](http://www.pulsarmeasurement.com)



INFO@PULSARMEASUREMENT.COM

*Pulsar Measurement is a trading name of Pulsar Process Measurement, Ltd.*

*Copyright © 2020 Pulsar Measurement  
Registered Address: 1 Chamberlain Square CS, Birmingham B3 3AX  
Registered No.: 3345604 England & Wales*

**United States**  
11451 Belcher Road South  
Largo, FL 33773  
888-473-9546

**Canada**  
16456 Sixsmith Drive  
Long Sault, Ont. K0C 1P0  
855-300-9151

**United Kingdom**  
Cardinal Building, Enigma  
Commercial Centre  
Sandy's Road, Malvern WR14 1JJ  
+44 (0) 1684 891371

Rev 1.0